

+



MOREFUN.

+

○

●

○

800MT-X

Owner's Manual

Read this manual carefully.

It contains important safety information,
make sure operator holds a valid driver license.

Passengers under 12 are prohibited.

»

»

TABLE OF CONTENTS

FOREWORD	7
EVAP System (Evaporative Emission Control System)	8
Signal Words	9
VIN AND ENGINE SERIAL NUMBER	11
SPECIFICATIONS	12
OPERATOR SAFETY	16
General Safety Precautions	16
Equipment Modifications	17
Owner Responsibilities	21
Safe Riding Gear	22
General Information	25
AVOID DANGEROUS RIDING BEHAVIORS	26
VEHICLE VIEW	30
Left View	30
Right View	31
Top View	32
OPERATING PARTS	33
Clutch Lever	33

Front Hand Brake Lever	33
Handlebar Switch, LH	34
Handlebar Switch, RH.....	36
Electronic Throttle Assy.....	37
Locks	37
Gear Shift Lever	39
Rear Brake Lever	40
Side Stand.....	40
Passenger Handhold	41
Footrests Device	41
Height Adjustment of the Windshield	42
USB Output Socket Kit.....	42
INSTRUMENT	43
Activation and Testing	43
Instrument Indicators.....	44
Instrument Display	47
Instrument Menu	54
OPERATING YOUR VEHICLE	85
Break-In Period	85
Daily Safety Inspection.....	86

Starting.....	87
Starting Off.....	89
Shifting, Riding.....	89
Braking.....	91
Parking.....	92
SAFETY OPERATION	94
Safe Riding Tips.....	94
Additional Cautions for High Speed Operation.....	95
Precaution for Off-Road Surfaces.....	96
MAINTENANCE	97
Improper Use.....	97
Key Points of Lubrication Schedule.....	98
Break-in Maintenance Schedule.....	99
Periodic Maintenance Schedule.....	102
CLUTCH LEVER FREE PLAY.....	108
TOOL KIT.....	109
FUEL SYSTEM	110
Fuel Tank.....	110
Fuel Requirements.....	111
Octane Rating (RON).....	111

Refueling	112
ENGINE ASSEMBLY	114
Oil Level Inspection	114
Oil and Oil Filter Replacement	115
Engine Oil Capacity	120
Spark Plug	121
Idling	121
AIR INTAKE AND EXHAUST SYSTEM.....	122
Exhaust Detecting System	122
Air Intake/Exhaust Valve	122
Valve Clearance	123
Air Filter	124
Throttle Body	124
COOLING SYSTEM	125
Radiator and Cooling Fan	125
Radiator Hoses	125
Coolant	126
Coolant Level Inspection	128
Coolant Replenishment	129
TIRES AND CHAINS	130

Tire Specifications	130
Tire Friction	132
Drive Chain Inspection	134
Drive Chain Tension Adjustment	136
BRAKE SYSTEM	140
Front Brake Lever Inspection	140
Rear Brake Pedal Inspection	140
Brake Fluid Level Inspection	141
Brake Fluid Replenishment	142
Brake Disc Inspection	144
Brake Caliper Inspection	144
Anti-Lock Braking System (ABS)	145
SHOCK ABSORBERS	147
Shock Absorber Inspection	147
Front Shock Absorber Adjustment	148
Rear Shock Absorber Adjustment	152
Suspension Adjustment Chart	155
ELECTRICAL SYSTEM AND LIGHTS	156
Battery	156
Battery Removal	159

Battery Mounting	160
Lights.....	161
Fuses	162
SIDE BOX AND TAIL BOX (If Equipped)	163
CATALYTIC CONVERTER	165
EVAPORATIVE EMISSION CONTROL SYSTEM	166
CLEANING AND STORAGE	167
General Precautions	167
Polishing the Surface	170
Windshield and Other Plastic Parts.....	170
Chrome and Aluminum(If Equipped)	170
Leather, Vinyl and Rubber Products(If Equipped).....	170
Preparation for Storage.....	171
Preparation After Storage.....	172
Transporting Your Vehicle	173
COMMON PROBLEMS AND CAUSES.....	174
GENERAL TORQUE CHART	177
CRUCIAL TORQUE CHART	177
CFMOTO RIDE APP / TELEMATICS BOX.....	184

FOREWORD

Thank you for purchasing a CFMOTO vehicle, and welcome to our world-wide family of CFMOTO enthusiasts. Be sure to visit us online at www.cfmoto.com for the latest news, new product introductions, upcoming events, and more.

CFMOTO is an international company that specializes in the development, manufacture, and marketing of motorcycle, e-motorcycle, e-bicycle, all-terrain vehicles, utility vehicles, large displacement motorcycles, and their core components. Founded in 1989, CFMOTO is devoted to the development of independent brand cultivation and R&D innovation.

CFMOTO products are currently distributed through more than 2000 companions worldwide in more than 100 countries and regions. CFMOTO is edging into the advanced ranks in the world of powersports, and aims to supply superior products to dealers and fans globally.

For safe and enjoyable operation of your vehicle, be sure to follow the instructions and recommendations in this owner's manual. Your manual contains instructions for minor maintenance. Information about major repairs is outlined in the CFMOTO Service Manual.

Your CFMOTO dealer knows your vehicle best and is interested in your total satisfaction. Be sure to return to your dealership for all of your service needs during, and after, the warranty period.

Due to constant improvements in the design and quality of production components, some minor discrepancies may result between the actual vehicle and the information presented in this publication.

Depictions and/or procedures within are intended for reference use only.

Before every ride, please inspect your vehicle and follow the basic maintenance procedures before riding. Please keep this manual together with your vehicle, even when transferring the vehicle to others.

Zhejiang CFMOTO power Co., Ltd reserves the final explanation rights of the owner's manual.

⚠ DANGER

Operating, servicing and maintaining on-road or off-road vehicles can expose you to chemicals including engine exhaust, carbon monoxide, phthalates, and lead, which are known to cause cancer and birth defects or other reproductive harm. To minimize exposure, avoid breathing exhaust, do not idle the engine except as necessary, service your vehicle in a well-ventilated area and wear gloves or wash your hands frequently when servicing your vehicle.

Depictions and/or procedures within are intended for reference use only. The content in this publication is based on the latest production information available at the time of approval for printing.

CFMOTO Co., Ltd reserves the right to make changes at any time without notice and without incurring any obligation.

This manual is for the following vehicles: CF800-11 / CF800-11H

EVAP System (Evaporative Emission Control System)

(If equipped)

When required by environmental emissions regulations, this vehicle is manufactured with a fuel evaporation system (EVAP) to prevent fuel vapors entering the atmosphere from the fuel tank and fuel system.

During routine maintenance, visually inspect all hose connections for leaks or blockage. Ensure the hoses are not clogged or kinked, which could damage the fuel pump or distort the fuel tank. No other maintenance is necessary.

Contact your dealer if repair is required. Do not modify the EVAP system. Modifying any part of this system will violate environmental emissions regulations.

Signal Words

A signal word calls attention to a safety message or messages, a property damage message or messages, and designates a degree or level of hazard seriousness. The standard signal words in this manual are: “DANGER”, “WARNING”, “CAUTION” and “NOTE”.

The following signal words and symbols appear throughout this manual and on your vehicle. Your safety is involved when these words and symbols are used. Please be familiar with their meanings when reading the manual:

 DANGER

This safety alert and icon indicates a potential hazard that may result in serious injury or death.

 WARNING
--

This safety alert and icon indicates a potential hazard that may result in minor or moderate personal injury and/or damage to the vehicle.
--

 CAUTION
--

This safety alert and icon indicates a potential hazard that may result in damage to the vehicle.

NOTE:

A note or notice will alert you to important information or instructions.

**READ THE OWNER'S MANUAL
FOLLOW ALL INSTRUCTIONS AND WARNINGS**

 WARNING

Read, understand, and follow all of the instructions and safety precautions in this manual and on all product labels. Failure to follow the safety precautions could result in serious injuries or deaths.

 WARNING

The engine exhaust gas from this product contains CO, which is deadly and can cause headaches, giddiness, loss of consciousness, or even death.

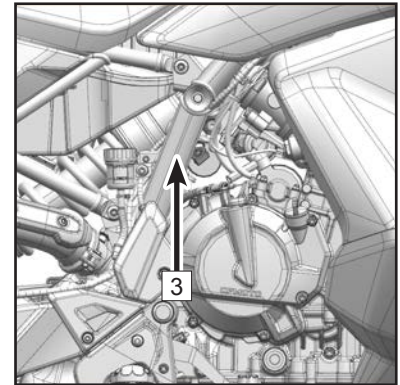
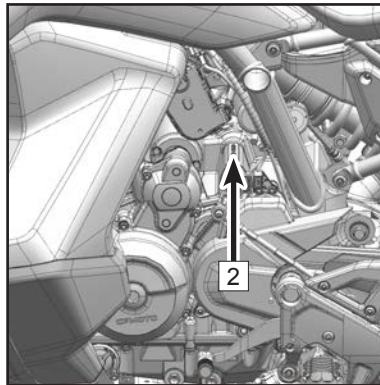
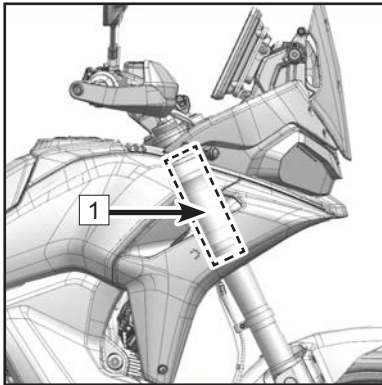
VIN AND ENGINE SERIAL NUMBER

Please record the VIN, engine serial number and name plate information in the spaces below.

Vehicle Identification Number:

Engine Serial Number:

Name Plate Number:



1	VIN	2	Engine Serial Number	3	Vehicle Plate
---	-----	---	----------------------	---	---------------

SPECIFICATIONS

	800MT-X			
	CF800-11		CF800-11H	
Performance				
Max power	93.9 Hp (70 Kw) / 8500 rpm	89.8 Hp (67 Kw) / 8250 rpm(Specific markets)		89.8 Hp (67 Kw) / 8250 rpm
Max torque	64.1 ft-lb (87 N•m) / 6750 rpm		63.4 ft-lb (86 N•m) / 6500 rpm	
Min. turn diameter	18.4 ft (5.6 m)			
Top designed speed	119.3 mph (192 km/h)			
Size				
Length	90 in (2288 mm)			
	91.8 in (2330 mm) (If equipped with the tail box)			
Width	37.2 in (945 mm)			
Height	56.1 in ~ 58.1 in (1426 mm ~ 1476 mm) Adjustable windshield	55 in ~ 57 in (1396 mm ~ 1446 mm) Adjustable windshield	56.1 in ~ 58.1 in (1426 mm ~ 1476 mm) Adjustable windshield	55 in ~ 57 in (1396 mm ~ 1446 mm) Adjustable windshield
Wheelbase	60.2 in (1530 mm)			
Seat height	34.3 in (870 mm)	32.7 in (830 mm)	34.3 in (870 mm)	32.7 in (830 mm)
Ground clearance	9.8 in (250 mm)	8.3 in (210 mm)	9.8 in (250 mm)	8.3 in (210 mm)
Curb weight	485 lb (220 kg)			
Engine				

Type	Vertical, Cylinder in-line, Two Cylinder, Four stroke, Liquid cooled, Double over head camshaft
Displacement	799 cm ³
Bore×stroke	3.46 in × 2.58 in (88 mm × 65.7 mm)
Compression ratio	12.8(±0.3): 1
Starting system	Electric starter
Fuel supplying system	EFI
Ignition control system	ECU Ignition
Lubricating system	Pressure /splash lubrication
Oil capacity	When changing an oil filter: 3 qt (2.8L)
Engine oil type	SAE10W-50 SJ and above JASO T903 MA2
Coolant capacity	54.1 oz.(1600 mL) + 9.4 oz.(240 mL) (Reservoir)
Coolant type	CFMOTO Organic coolant
Idle speed	1400 r/min ± 140 r/min
Transmission	
Transmission type	6-speed, international standard gear
Clutch type	Wet, multi disc, sliding
Driving system	Chain drive
Primary reduction ratio	1.923
Final reduction ratio	2.813

Gear ratio	1st	2.846
	2nd	2.000
	3rd	1.550
	4th	1.273
	5th	1.083
	6th	0.957
Chassis		
Tire size	Front	90/90-21 M/C 54H
	Rear	150/70 R18 M/C 70H
Rim size	Front	MT2.5×21
	Rear	MT4.25×18
Capacity of fuel tank		5.9 gal (22.5L) ± 0.26 gal(1L)
Average fuel consumption per 100 km		≤1.4 gal (5.6L)
Storage capacity of fuel tank when meter is flashing (max)		0.47 gal (1.8L)
Electric Components		
Battery		12V / 11.2Ah
Headlight		High beam: 4 × LED: 40W Low beam: 2 × LED: 26W Position light: 45 × LED: 10W

Turn light	Front	3 × LED: 1.5W
	Rear	
Tail light		Rear position light 15 × LED: 2.3W Braking Light 19 × LED: 4.4W
License light		2 × LED: 0.2W
Shock Absorbers		
Front shock absorber travel		9.1 in (230mm)
Front shock absorber preload	Left	Total setting: 30±2 Primary: 10
	Right	Total setting: 30±2 Primary: 10
Front shock absorber rebound damping adjustment		Total setting: 20±2 Primary: 10
Front shock absorber compression damping adjustment		Total setting: 20±2 Primary: 10
Rear shock absorber travel		2.8 in (70.5mm)
Rear shock absorber rebound damping adjustment		Total setting: 22±2 Primary: 12
Rear shock absorber compression damping adjustment		Total setting: 15±2 Primary: 8
Rear shock absorber preload adjusting range		0.3 in (10mm)

OPERATOR SAFETY

General Safety Precautions

WARNING

Please read this manual carefully before operating the vehicle and understand all safety warnings, precautions and operating procedures.

Age Limit

This model is for adults only. The operator must acquire a driving license as required by local laws and regulations, and children under the age of 12 are not allowed to ride CFMOTO's passenger-carrying vehicles.

Know Your Vehicle

As the operator of the vehicle, you are responsible for your personal safety, the safety of others, and the protection of the environment. Read and understand your owner's manual, which includes valuable information about all aspects of your vehicle, including safe operating procedures.

Equipment Modifications

CFMOTO is concerned with the safety of our customers and of the general public. Therefore, we strongly recommend that consumers should not mount on a vehicle, any equipment that may increase the speed or power of the vehicle, or make any other modifications to the vehicle for these purposes. Any modifications to the original equipment of the vehicle create substantial safety hazards and increase the risk of body injury. The warranty on your vehicle is terminated if any unapproved accessory equipment has been added to the vehicle, or if any modifications have been made to the vehicle that increase its speed or power.

NOTE: Some equipment may change the handling and performance of the vehicle, including but not limited to side boxes, exhaust pipes, side wheels, etc. Use only approved equipment and familiarize yourself with its functions and roles on the vehicle.

Caution

The components and accessories of the vehicle are specially designed, so we strongly recommend that to use the original CFMOTO components and the authorized accessories.

Caution

The alternation of the vehicle's weight will greatly affect the vehicle's power performance, please follow the specified loading of the cargo weight, passenger and mounted accessory.

Avoid Carbon Monoxide Poisoning

All engine exhaust contains carbon monoxide, a deadly gas. Breathing carbon monoxide can cause headaches, dizziness, drowsiness, nausea, giddiness and even death. Carbon monoxide is a colorless, odorless, tasteless gas that may be present even if you do not see or smell any engine exhaust. Deadly levels of carbon monoxide can accumulate rapidly, and you can quickly be overcome and unable to save yourself. Also, deadly concentration of carbon monoxide can remain for hours or days in enclosed or poorly ventilated areas.

To prevent serious injury or death from carbon monoxide:

- Never run the vehicle in poorly ventilated or partially enclosed areas.
- Never run the vehicle outdoor where engine exhaust can be drawn into a building through openings such as windows and doors.

Avoid Gasoline Fires and Other Hazards

Gasoline is extremely flammable and highly explosive. Fuel vapors can spread and be ignited by a spark or flame many feet away from the engine. To reduce the risk of fire or explosion, follow these instructions:

- Use an approved gasoline tank to store fuel.
- Strictly adhere to proper fueling procedures.
- Never start or operate the engine if the fuel cap is not properly mounted. Gasoline is poisonous and can cause injury or death.
- Never siphon gasoline by mouth.
- If you swallow gasoline, get any in your eye (s) , or inhale gasoline vapor, see a doctor immediately.
- If gasoline spills on you, wash with soap and water and change your clothes.

Fuel Minimum Octane Rating and Safety Warnings

The recommended fuel for your vehicle is E5/E10 or 95(ROn)/98(ROn). Non-oxygenated (ethanol-free) fuel is recommended for best performance in all conditions.

 **WARNING**

Gasoline is highly flammable and explosive under certain conditions. Allow the engine and exhaust system to cool before filling the tank. Always be highly cautious whenever handling gasoline. Always refuel the vehicle when the engine is stopped outdoors or in a well-ventilated area. Do not smoke or allow open flames or sparks in or near the area where refueling is performed, or where gasoline is stored.

Do not overfill the tank. Do not fill fuel to the tank neck.

If gasoline spills on your skin or clothing, immediately wash it off with soap and water and change clothing. Never start the engine or let it run in an enclosed area. Engine exhaust fumes are poisonous and can cause loss of consciousness or death in a short time. The engine exhaust from this product contains chemicals known to cause cancer, birth defects or other reproductive harm. Operate this vehicle only outdoors or in well-ventilated areas.

NOTE: Improper disposal of the fuel can be harmful to the environment, and prevent the fuel from leaking into the groundwater, the ground or sewer.

Avoid Burns From Hot Parts

The exhaust system and engine become hot during operation. Avoid touching them during and shortly after operation to avoid burns.

Owner Responsibilities

Be Qualified and Responsible

Read this Owner's Manual and the warning labels on this vehicle carefully. Take a safety training course on open areas if possible and practice at low speed. Higher speed requires greater experience, knowledge and suitable riding conditions. Be familiar with the control technology and the general operations of the vehicle.

This vehicle is an ADULT VEHICLE ONLY. The operator must acquire a driving license as required by local laws and regulations. Operators must be tall enough with physical capacity to: be properly seated, hold the handlebar with both hands, fully operate the clutch lever with the left hand, fully operate the brake lever with the right hand, fully operate the foot brake lever with the right foot, be able to firmly put both feet on the foot pegs, and be able to balance the vehicle with the feet when stopped and seated.

Carrying a Passenger

- Only carry one passenger. The passenger must be properly seated in the passenger seat.
- The passenger should be over 12 and be tall enough to always be properly seated when holding handhold, and feet firmly put on the foot pegs.
- Never carry a passenger who has used drugs or alcohol, or is tired or ill. These slow reaction time and impair judgment.
- Instruct the passenger to read the vehicle's safety labels.
- Never carry a passenger if you think that their ability or judgment is insufficient to concentrate on the terrain conditions and adapt accordingly.

Safe Riding Gear

Always wear clothing suited to the type of riding for the driver and passenger, including:

1. An approved helmet
2. Goggles
3. Gloves
4. Long-sleeved shirts or jackets
5. Long pants
6. Over-the-ankle boots

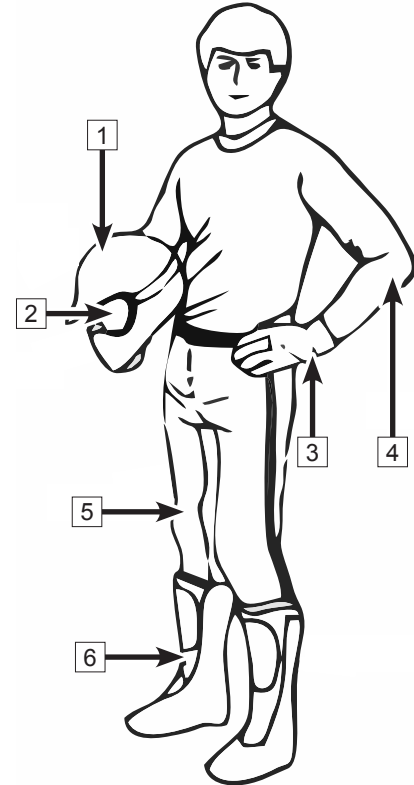
According to the actual weather, you may need extra apparel, such as anti-fog goggles, thermal underwear and a face guard for cold weather. The operator must never wear loose clothing that may get entangled in the vehicle or on tree branches and shrubs.

Helmets and Goggles

An approved helmet can prevent a serious head injury if an accident occurs. Please note that even the best helmet is no guarantee against injury.

The helmet you choose should meet the standard for your country or area and its size should suit you. A closed-face helmet with face shield will be better at preventing impacts from insects, flying rocks, dust and scattered debris, etc.

An open-face helmet cannot offer the same protection for your face



and jaw. Please wear detachable face masks and goggles when wearing an open-face helmet.

Do not depend on eyeglasses or sunglasses for eye protection, as they are not rated for enough eye protection. Debris may fly up or break the lens, causing eye injury.

Use tinted masks or goggles only during the day in bright light, do not use them at night or in poor light. They may affect your ability to distinguish colors. Do not use them if your color discrimination is affected.

Gloves

Full-finger gloves could protect your hands from wind, sun, heat, cold, and splash. Well-fitted gloves are helpful for steering and relieve hand fatigue. If the gloves are too heavy, it will be difficult to operate the vehicle.

A pair of strong motorcycle gloves offer protection for your hands in the event of an accident or turnover. Snowmobile gloves offer better protection when operating in cold areas.

Jackets, Pants and Motorcycle Suits

Wear a jacket or a long sleeved shirt and long pants, or a full riding suit. Quality protective gear will provide comfort, and it can help you avoid being distracted by adverse environmental elements. In case of an accident, good quality protective gear made of sturdy material may prevent or reduce injury.

In cool-weather riding, protect yourself against hypothermia. Hypothermia, a condition of low body temperature, can cause loss of concentration, slowed reactions and loss of smooth, precise muscle movement. In cool conditions, proper protective gear like a windproof jacket and insulated layers of clothing are essential. Even while riding at moderate temperatures, you can feel very cold due to the wind. Protective gear that is appropriate for cold-weather riding may be too hot when stopped. Dress in layers so that clothing can be removed as desired. Topping the protective gear with a windproof outer layer can prevent cold air from reaching the skin.

Boots

Always wear closed-toe, over-the-ankle boots. Sturdy over-the-ankle boots with non-slip soles offer more protection, and allow you to plant your foot properly on the foot pegs. Avoid long shoelaces that could get tangled in the vehicle components. For winter riding conditions, rubber-soled boots with either nylon or leather uppers and removable felt liners are best suited. Avoid rubber rain boots. Rubber rain boots may get trapped behind the foot brake pedal, impairing proper operation.

Other Riding Gear

Rain Gear

When riding in rainy weather, a rain suit or a waterproof riding suit is recommended. On long rides, it is a good idea to carry rain gear. Keeping clothes dry results in being much more comfortable and alert.

Hearing Protection

Long-term exposure to wind and engine noise when riding can cause permanent hearing loss. Properly worn hearing protective devices such as earplugs can help prevent hearing loss. Check local laws before using any hearing protective devices.

General Information

General Precautions Before Riding

1. Passengers should be familiar with the vehicle's performance. An improperly seated passenger can impact motorcycle stability and/or control. Passengers should stay balanced and stably seated when riding. They should neither influence the driver's operating nor carry animals.
2. Package luggage as low as possible to help stabilize the vehicle. Evenly distribute luggage on both sides of the motorcycle, and avoid luggage extending too far beyond the back of the motorcycle.
3. Firmly secure luggage on the motorcycle, and ensure that luggage is unmovable before riding. Re-check luggage during travel breaks. If luggage becomes unstable during the trip, stop the vehicle and re-adjust it.
4. Do not carry overloaded or oversized luggage. Overloading influences the vehicle's handling and power performance.
5. Do not mount any parts or luggage that will reduce vehicle performance. Make sure that each operation will not affect the lights, ground clearance, brake performance, side tilt, operating performance, tire compression ratio stroke, front fork or related riding performance.
6. Increased weight on the handlebar or front fork affects steering and can cause safety issues.
7. An air deflector, back or other large component will affect vehicle stability and performance. It increases the vehicle's weight and reduces the power performance. A lack of design verification may cause safety issues.
8. This vehicle cannot be modified to a side tricycle. Do not use it for towing a trailer or other vehicle. CFMOTO will not be responsible for damage or problems caused by improper modifications.
9. If you need to carry luggage, equipping a properly designed and verified side box and tail box is recommended for your safety.

Maximum loading weight setting from the factory: 893 lb (405 kg)

Maximum passenger number (including driver): 2 people

AVOID DANGEROUS RIDING BEHAVIORS

The following behaviors may cause serious consequences, so instructions must be followed to avoid dangerous behaviors.

Operation Errors

⚠WARNING: Operation errors may cause serious damage to the operator, passenger and people around.

Read every instruction in this manual and be familiar with every function of this vehicle. Must participate in the safety training and know how to operate the vehicle properly in different situations and on different types of terrain.

Age Limit

WARNING: It is restricted to allow underage people to ride the vehicle and people under 12 to be passengers.

Severe injury and/or death could occur if a child under the minimum age limit operates this vehicle. Even though a child may be within the recommended age group for operating, he/she may not have the skills, abilities, or judgment needed to operate safely and could be susceptible to accidents or injuries. The vehicle can only be operated by people of legal age with safe driving skills and the required license.

Illegal Carrying

⚠WARNING: It is restricted to carry more passengers than allowed.

Carrying more passengers than allowed is illegal and will much affect the vehicle's riding performance and may cause serious accidents.

Safe Riding Gear

⚠️WARNING: Riders must wear an approved helmet, goggles and protective clothing when riding.

Unapproved helmets increase the risk of head injury and death in the event of an accident. Failure to use goggles increases the risk of eye injury and death in the event of an accident. Always wear a whole set of gear to reduce accidents and increase your own protection.

Drinking and Medication

⚠️WARNING: Do not operate a vehicle under the influence of alcohol, medication or drugs.

Drinking, taking medication and taking drugs will seriously affect drivers' judgment and reaction ability, as well as their perception and balance, which will greatly increase the incidence of accidents. Do not operate vehicles after drinking, taking medication or taking drugs.

Speeding

⚠️WARNING: No speeding.

Speeding increases the risk of losing control of the vehicle, leading to accidents. Choose your driving speed based on vehicle load, terrain, visibility, driving conditions, and never exceed the maximum speed.

Stunts

⚠️WARNING: Do not try stunts.

All stunts are dangerous, including but not limited to slippery tires, jumping, side-slip, front wheel upturn, etc. Stunt or demonstration riding can result in serious accidents. Always use normal driving methods.

Inspections and Maintenance

⚠️WARNING: Check vehicle conditions before riding and service the vehicle regularly.

Checking vehicle conditions before riding can reduce the probability of accidents. Maintain the vehicle regularly to ensure the equipment is in good condition. Please follow the instructions for inspection and before driving and regular maintenance.

Lift Hands and Feet From the Vehicle

⚠️WARNING: Do not lift your hands off the handlebars or your feet off the pedals when riding.

Even leaving with only one hand or foot can reduce your ability to control the vehicle or cause you to lose your balance and fall off from the vehicle. If the driver's feet are not firmly put on the pedal, they may be unable to operate the brake or accelerator in time or may be influenced by external environmental factors, resulting in an accident.

Tire Size

⚠️WARNING: Do not use tires with wrong gauge, wrong tire pressure or uneven tire pressure.

Wrong tires may cause accidents. It is forbidden to use wrong tires. Check the tire pressure regularly to ensure that the tires are always within the normal pressure range.

Modifications

⚠️WARNING: Any non-standard modifications are prohibited.

Any modifications will affect vehicle handling, which can lead to accidents. It is prohibited to mount any equipment which would increase the speed or power of the vehicle, or to make any other modifications to the vehicle for these purposes. All equipment and accessories added to the vehicle must be original or designed for use on the vehicle.

Keys

⚠️ WARNING: Do not leave keys on the vehicle. Lock the stem lock before leaving the vehicle.

Keys left on the vehicle may result in unauthorized use of the vehicle, causing an accident or property damage, so please take away the key when the vehicle is not in use.

Dangerous Transportation

WARNING: Do not transport flammable, explosive or other dangerous goods.

Transportation of dangerous goods may cause serious injuries or accidents.

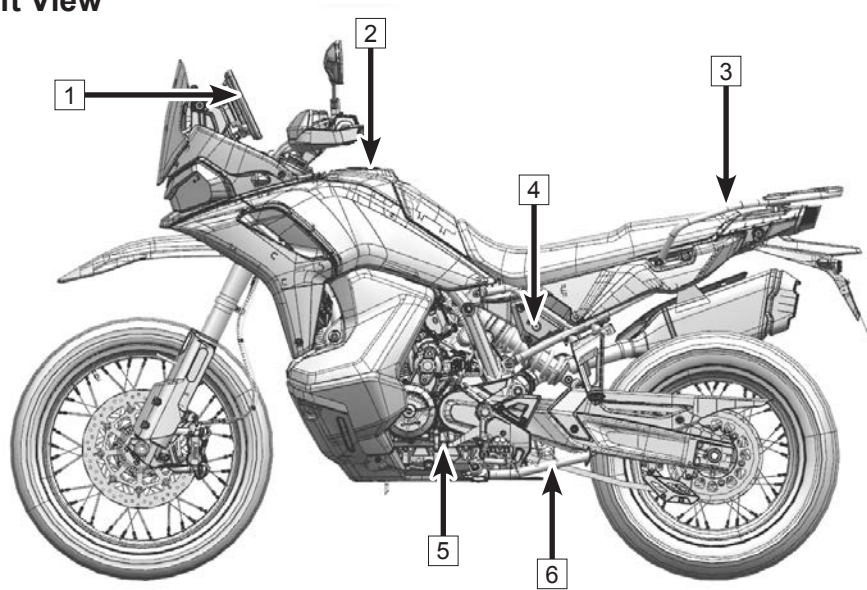
Applicable range

WARNING: Do not riding the vehicle in the filed or road which exceed the applicable range.

The vehicle is designed and structured to ride on regular roads with an abnormal loading and to ride on unpaved surfaces (non-hardened surfaces) as well. The vehicle is not suitable for racing.

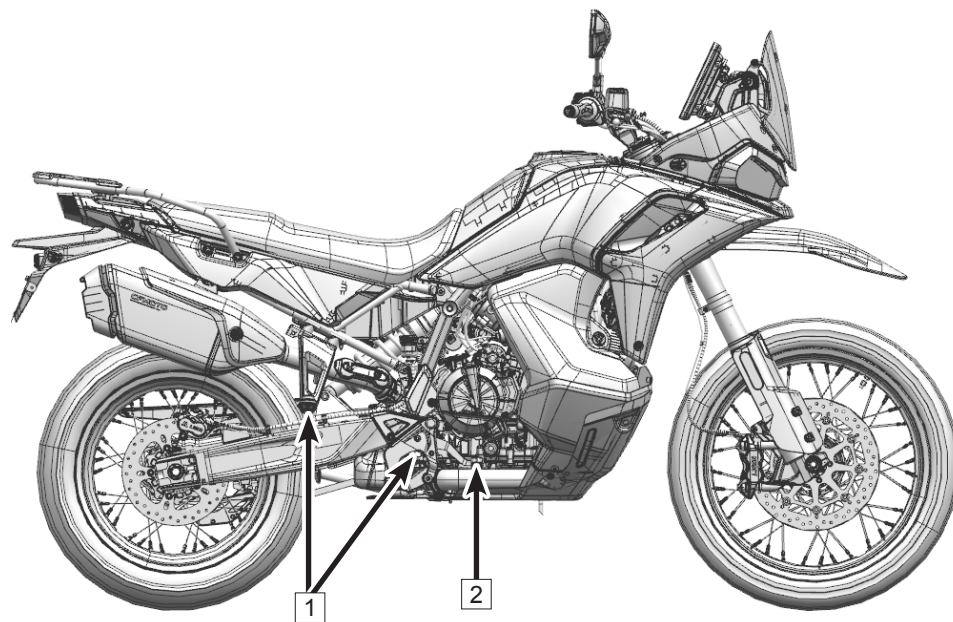
VEHICLE VIEW

Left View



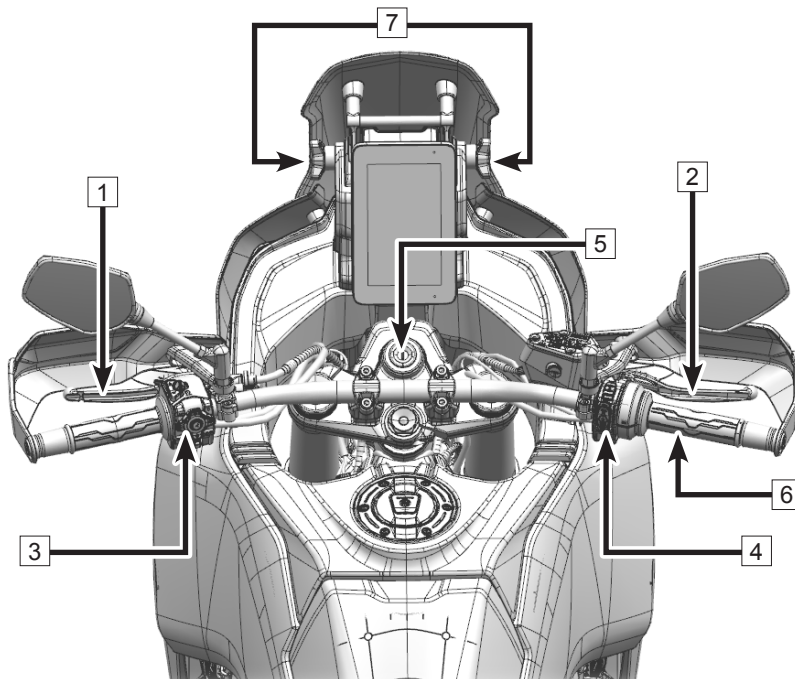
1. Instrument
2. Fuel Tank Lock
3. Passenger Handhold
4. Seat Lock
5. Gear Shift Lever
6. Side Stand

Right View



1. Footrest Kit
2. Rear Brake Lever

Top View



1. Clutch Lever
2. Front Brake Lever
3. Handlebar Switch, LH
4. Handlebar Switch, RH
5. Ignition Switch Lock
6. Throttle
7. Windshield Adjusting Knob

OPERATING PARTS

Clutch Lever

Clutch lever **1** is on the left side of handlebar. The clutch is a cable clutch.

Adjust the clutch lever's distance to the handlebar by turning the clutch lever adjusting knob.

If turn the adjusting knob clockwise, the clutch lever will approach the handlebar.

If turn the adjusting knob counterclockwise, the clutch lever will be far away from the handlebar.

Front Hand Brake Lever

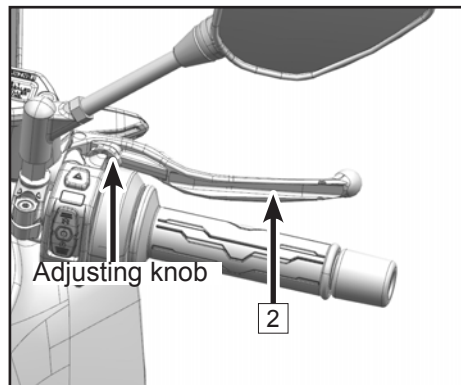
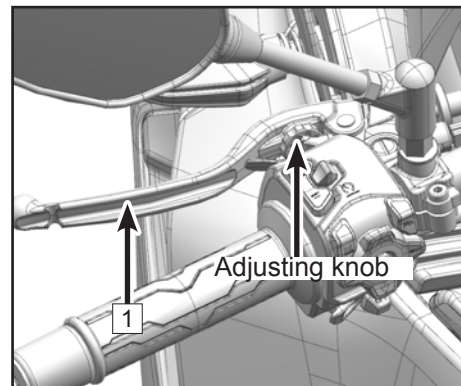
Front hand brake lever **2** is on the right side of handlebar. Front brake caliper activates braking by using the front hand brake lever.

Adjust the brake lever's distance to the handlebar by turning the brake lever adjusting knob.

If turn the adjusting knob clockwise, the brake lever will approach the handlebar.

If turn the adjusting knob counterclockwise, the brake lever will be far away from the handlebar.

The adjustment range of the brake lever and clutch lever has a limit. Do not turn the adjusting knob overly, turning it by hand only. Do not operate the adjustment during riding.

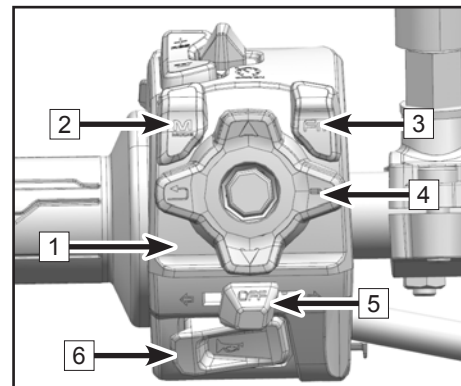






Handlebar Switch, LH

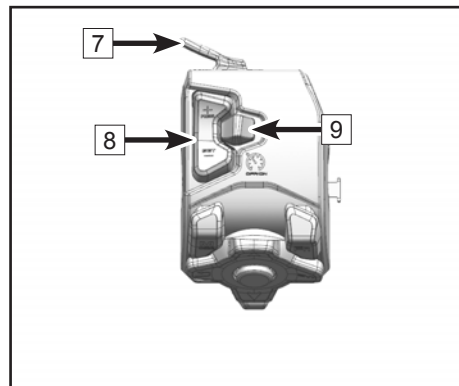
Left handlebar switch **1** is on the left side of the handlebar.

Functions of Left Handlebar Switch

2	Mode switch	M MODE	Press switch to shift the driving mode. When the ABS or TC function is enabled, long press switch more than 3 seconds to enter the OFF-ROAD mode, and turn off the ABS or TC function.
3	Function button	Fn	Press it to call up the cyclical menu-Fn menu.
4	Menu button	For operate the instrument, refer to the instrument chapter.	
5	Turning light switch	➡	Pushing this switch to the right activates the right turn light.
		➡	Pushing this switch to the left activates the left turn light.
		OFF	Push down the turning light switch, Left/right stops work.







6	Horn switch		Short press, the horn will sound.
7	Dimmer push switch		Turn to this position to activate high beam lights.
			Turn to this position to activate low beam lights.
			Press this button and passing light will flash.
8	Button of cruise control system	RES/+ SET/-	Please refer to the dashboard section.
9	Cruise control ON/OFF switch		Please refer to the dashboard section.

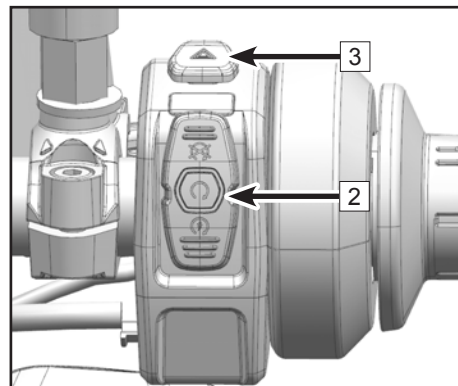
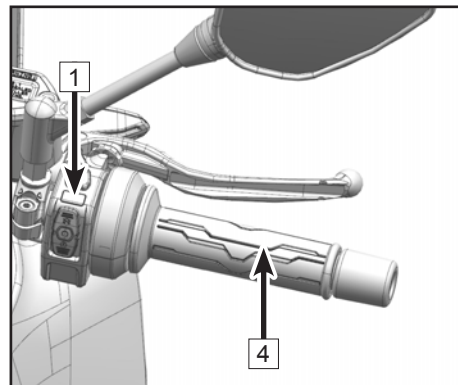


Handlebar Switch, RH

Right handlebar switch **1** is on the right side of handlebar.

Functions of Right Handlebar Switch

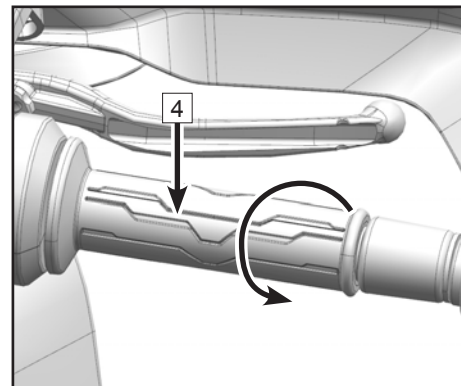
2	Start and stop switches		Turn the key to this position the vehicle ignition circuit is disconnected, and to shut off the engine, the engine cannot be started.
			Turn the key to this position the vehicle is ready to start.
			Turn the key to this position to start the engine.
3	Hazard flasher switch		Press to turn on the hazard flasher light.



Electronic Throttle Assy

This vehicle is equipped with an electronic throttle assembly **4**. When rotating the throttle grip, the ECU determines the optimal fuel quantity to supply by combining the information of throttle open angle, engine RPM, gear position, engine temperature and vehicle driving mode, etc.

Electronic throttle offers optimal fuel economy and better throttle response for the driver.



Locks

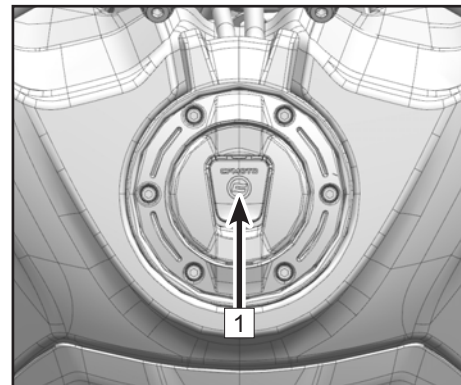
Fuel Tank Lock **1**

Before opening the fuel tank lock: The vehicle must be stopped, and the engine must be off.




Open the fuel tank lock cover.

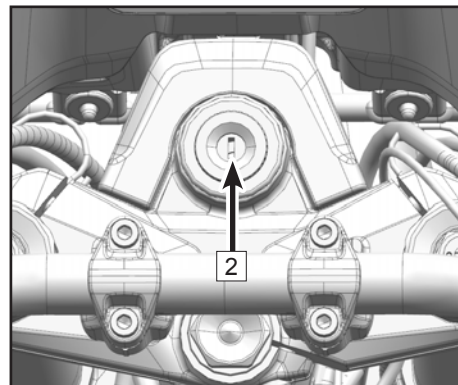
Insert the key and turn the key to release the lock.

Open the fuel tank cap.





Ignition lock/handlebar lock 2

Handlebar lock		Turn the key to this position to disconnect the ignition circuit, and lock the handlebar. Then remove the ignition key.
Stop		Turn the key to this position to disconnect the ignition circuit, and to shut off the engine, the engine cannot be started. Then remove the ignition key.
Start		Turn the key to this position, the engine can be started and the vehicle power circuit is connected. The key cannot be moved.



Locking/release the handlebar system

NOTE: Place the vehicle on the firm and flat ground or the vehicle may sliding or tip over.

Lock	Shut off the vehicle, turn the handlebar to the left, press down the key and turn left to “  ” to lock the handlebar. Then remove the ignition key.
Unlock	Insert the key to the ignition lock and handlebar lock kit, and turn right to “  ” to release the handlebar (Turn the handlebar to the left end to better unlock). Then remove the ignition key.

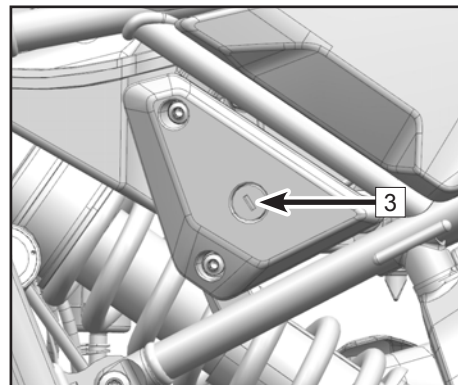
CAUTION

Do not turn on the power supply for a long time when the engine is not started, which may cause the power loss and the engine cannot work normally.

Seat Lock

The seat lock **3** is on the left side of the vehicle.

The seat lock can be removed by inserting the key and clockwise turning to release the lock.



Gear Shift Lever

The gear shift lever **1** is on the left side of the engine, adjusting the position of the gear shift lever to suit your personal driving habit.

Both ends screw tread of the middle connecting rod are adjustable, and the adjustment range of the single side is 0.2 in ~ 0.43 in (5mm~11mm).

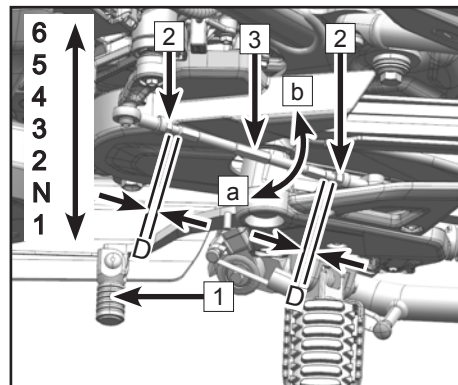
Loosen the locking nuts **2** at both ends.

Rotate the middle connecting rod **3** to adjust the height of the shift lever.

Rotate clockwise **a** the center connecting rod to raise the gearshift lever **3**.

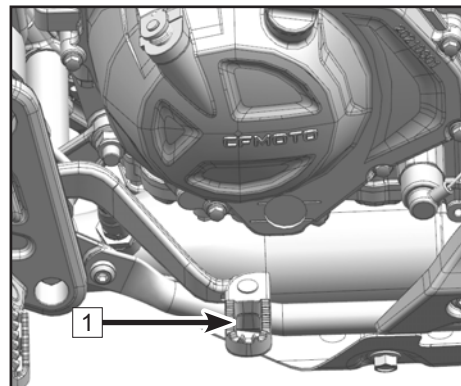
Rotate counterclockwise **b** the center connecting rod to raise the gearshift lever **3**.

Torque: 4.4 ft-lb (6 N•m)



Rear Brake Lever

The rear brake lever **1** is on the right side of the engine. Step on rear brake lever to make rear brake caliper to stop the vehicle.



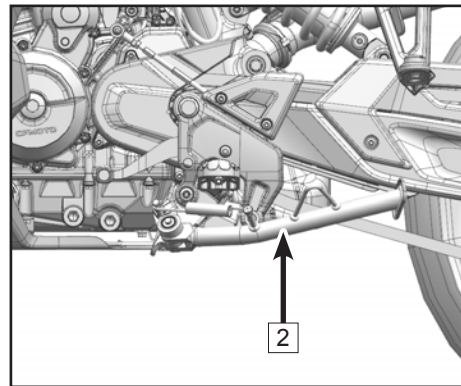
Side Stand

The side stand **2** is on the left side of the vehicle, and is used for parking.

NOTE: Lift the side stand while riding, the side stand is link with the security starting system.

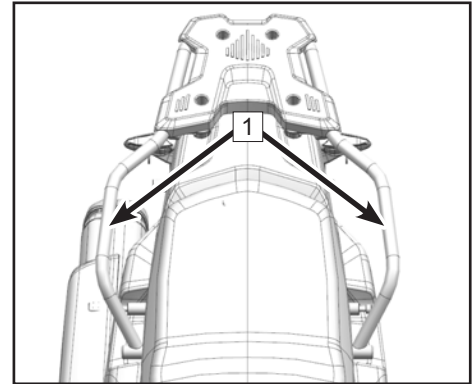
When the side stand is lowered, the vehicle can only be started with the transmission in neutral.

When the side stand is lifted, the security system is not in use. The side stand should be lifted in all the driving modes.



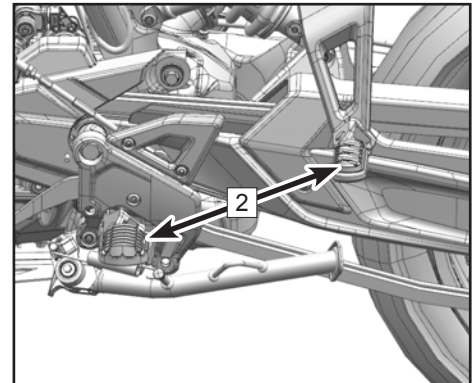
Passenger Handhold

The passenger handholds **1** are mounted on the motorcycle and can be held by a passenger.



Footrests Device

Footrests **2** are mounted on the motorcycle for the operator and a passenger to put their feet.

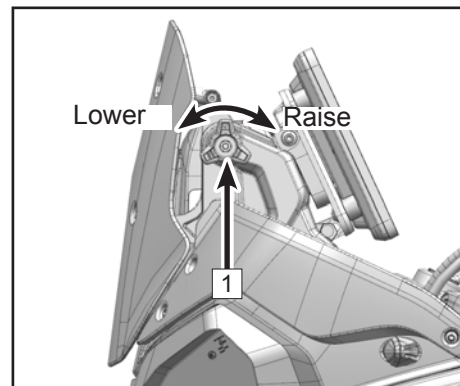


Height Adjustment of the Windshield

The height of the windshield is adjustable. Rotating the adjusting knob **1** will raise or lower the windshield. When the adjusting knob cannot be turned, it has reached its adjusting limit.

Adjustment range: 2 in (50mm)

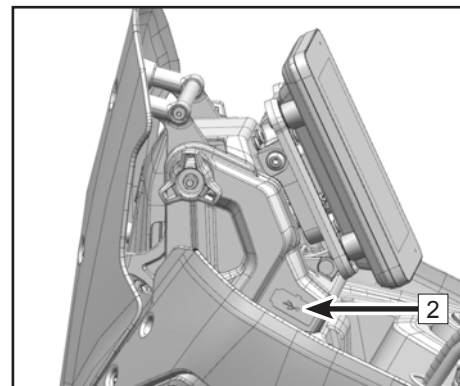
NOTE: Restore windshield height to the factory setting (lowest point) when you apply for the vehicle license at your local transportation department.



USB Output Socket Kit

The USB output socket kit **2** is on the left side of the vehicle body. It can connect the digital equipment, such as mobile phone, etc.

It contains a Type-A connector and a Type-C connector for accessories.



INSTRUMENT

NOTE

Due to function, adjustment and version updates of the instrument and renewed vehicle configurations, some contents of the instrument may change. Please selectively refer to this section according to your vehicle.

Instrument

The instrument is mounted at the front side of the handlebar and divided into two function areas:

- 1: Instrument Indicators
- 2: Instrument Display

Activation and Testing

Activation

The instrument is activated synchronously when the motorcycle is powered on.






Testing







Upon activation, the instrument goes into self-inspection mode, in which a start-up animation displays and indicator lights are turned on. At this time, the selection button will not respond until the self-inspection has completed.



Instrument Indicators



Number	Symbol	State	
1		Flash	When turning signal indicators are flashing, the corresponding turn lights are on.
2		Flash/ On	Functions of TC indicator: TC work indicator (TC), TC fault indicator (TC!), TC off indicator (TC). TC indicator will flash when the TC indicator works. TC fault indicator will be on when a fault occurs. TC indicator will be off when the TC indicator stops. TC indicator will be on in the ECU diagnose mode.
3		On	ABS indicator will be on when vehicle is powered on, and off after the vehicle is starting, which is normal. ABS indicator will stay on when there is ABS fault. The ABS system will stop working, but the vehicle basic braking function works. Please drive at low speeds and avoid sharp braking. Contact a CFMOTO dealer to inspect the ABS system.
4		On	When the battery indicator turns red, which indicates the battery is too low, please charge the battery in time.
5		On	Tire pressure indicator will be on when tire pressure is abnormal, or it does not receive a sensor signal. When this indicator is on, please stop the vehicle and inspect the tire pressure and condition. If an abnormal condition is found, please contact a CFMOTO dealer for service. If tire condition appears normal, please drive at low speed, maintain the tire pressure to specification and service the tires soon. If no tire sensor signal, please stop the vehicle and contact a CFMOTO dealer for inspection.

6		On	Engine off indicator will be on when engine is off.
7		On	Position light indicator will be on when position light turns on.
8		On	High beam indicator will be on when high beam lamp turns on.
9		On	Oil pressure warning indicator will be on when engine oil pressure is very low, please fill or change the engine oil soon to avoid engine damage.
10		On	When the vehicle is turned on and the engine is off, EFI fault indicator will be on. If the engine is started and the indicator is still on, it means the vehicle detects a fault, which will be displayed on the dashboard. Please stop the vehicle if the EFI fault indicator is on and contact your CFMOTO dealer for inspection.
11			When the brightness control indicator is enabled, the photosensitive sensor will automatically adjust its brightness according to the external environment light.

Instrument Display

Sports Camera(Available in theselected markets)

This feature records riding moments. It can be used only when equipped with T-BOX, and it is only for Insta x3 (launch permission selectively). Users can pay the fee via the CFMOTO RIDE APP (monthly/half-yearly/yearly). Make sure the vehicle is connected to the camera effectively via Bluetooth.

Main functions:

1. Start shooting: When the sporting camera is connected to the vehicle, long press the switch button ▽ on the LH handlebar for > 1 second, which can help to realize the pre-set function of recording/shooting.
2. Stop shooting: When the camera is shooting, to long press the switch button ▽ on the LH handlebar for >1 second, which could stop the shooting.
3. Connection: When the equipment is connected, the UI interface will display the connecting conditions and remaining power of the sporting camera.
4. Shooting state display: The camera icon on the dashboard will turn red with a breathing blinking effect, to remind users of the changes in the shooting condition.
5. Delivery of vehicle information: riding information (speed, gear, RPM, vehicle body tilt tendency, riding track, etc.) can be transmitted via Bluetooth. When editing the video, a CFMOTO module is available.



Gear Display

The current gear is displayed here.
Neutral gear is displayed in green.

Engine RPM

The unit of engine speed is 1000 revolutions per minute.

During the break-in period, avoid too-high engine speed. Avoid engine speed approaching the red zone at all times as much as possible, which will damage the engine life. Avoid high engine speed until the engine is heated up.

Music/Calling

When the instrument play music via Bluetooth connected mobile. This area will display the current music. During playing music, users can select the priority while receiving calling. Press ENT on the LH handlebar to pick up calling, press ↶ on the LH handlebar to hang up.



Clock

The current time is displayed here.
Set the current time through the menu.
Switch between 12 hours and 24 hours through the menu.

Speed

The current speed per hour is displayed here.
Metric km/h and imperial mph can be switched through the menu.

Bluetooth

Bluetooth is used to connect mobile phones and helmets.
When a user's mobile phone / helmet is connected to the motorcycle's instrument through Bluetooth, the area will display the mobile logo, helmet logo (helmet 1 and helmet 2), and power remained of the mobile phone, helmet 1 and helmet 2.
Functions of music and calling can only be used when the phone/helmet is properly connected to the motorcycle.

Tire Pressure Display

Front and rear tire pressure and the tire temperatures are displayed here.

Information 1

You can select a message from the menu to be displayed here.
Optional Information 1: ODO, TRIP1, TRIP2.



Cruise Control System Display(2-1)

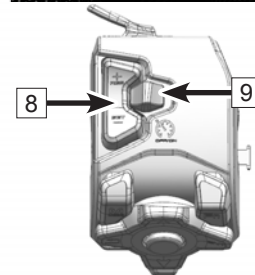
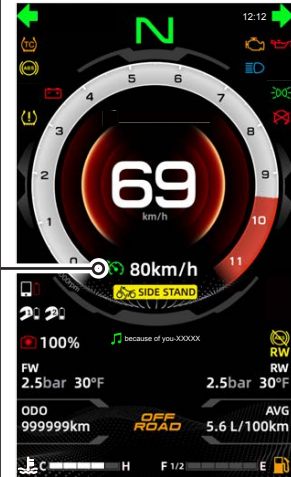
The cruise control system consists of a toggle switch and speed adjusting button for system operation, located on the left handle bar control. The adjustable range for this cruise control system is 25 mph (40 km/h) to 99 mph (160 km/h), the gear is between 3th and 6th. Once activated, the throttle control does not require manual input, and the vehicle maintains the selected speed. Comply with the local laws and regulations to set the cruise speed.

To activate cruise control:

- Control the speed within 25 mph (40 km/h) ~ 99 mph (160 km/h), and keep at the third gear or above, toggle the control system switch [9] to right to activate the cruising function.
- Short press “SET/-”, the system will set the initial target speed according to the current speed and start cruising.
- Short press ‘SET/-’ to decrease the cruise speed by 1.2 mph (2 km/h).
- Short press ‘RES/+’ to increase the cruise speed by 1.2 mph (2 km/h).
- Long press of the speed adjusting button to increases or decreases the cruise speed continuously.
- When the cruise control is on, increase speed for passing when apply the throttle. At this time, the driver will regain control temporarily. When loosen the throttlet, the speed will decrease to the set cruise speed to excute this function.

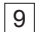
Log out / to deactivate cruise control:

- Any braking action, clutch action or gearshift will release the cruise control system.



8	RES/+
	SET/-

Cruise Control System Display(2-2)

- If at any time the actual vehicle speed reduces to less than 24.8 mph (40 km/h) or higher than 99 mph (160 km/h), the cruise control system function releases automatically.
- Toggle the control system switch  to left or turning off the vehicle power will shut off the cruise control completely.

Restore the cruise control system

- Applying the brake, clutch or gearshift will release the cruise control system during the cruise. Short press the 'RES/+' will restore the cruise control function (speed and gear should meet the cruise control requirements), and the speed will return to the initial speed and start to cruise. Short press 'SET/-' , and the cruise control system will start working at the current speed (speed and gear should meet the cruise control requirements).

DANGER

Always turn off the cruise control system when it is not needed to avoid unintended activation.

Use an abundance of caution driving when adjusting vehicle speed using the speed adjusting button.

Do not use the cruise control system when traffic is busy, in sharp turns, on winding roads, wet or slippery road surfaces, ice or snow covered road surfaces, steep hills, or hilly roads. It may lead to an out of control vehicle and an accident.

The operator is the main controller of the vehicle, with priority of control over the cruise control system. When the vehicle is in cruise control system mode, the operator can quickly regain control at any time by using the brake, clutch or gearshift operation. When applying the throttle to speed, the driver will regain control of the vehicle temporarily.

Cruise control is only an auxiliary system to help reduce operating fatigue. Do not rely on its function to compensate for your driving abilities, and be extremely cautious while driving in this mode.

Speeding is illegal that poses a threat to yourself, but also to the safety of others. Drivers should comply with the local traffic regulations and set the cruising speed reasonably. The maximum cruising speed shall not exceed 99 mph (160 km/h).



Coolant Temperature

Coolant temperature is displayed with bars. More bars light up as the coolant temperature rises. When the last bar turns red, the coolant has reached a dangerous temperature exceeding 115°C .

⚠ WARNING

Extreme temperatures may damage the engine.

If the coolant reaches the dangerous temperature, please park the vehicle in line with local laws and regulations, and wait for the coolant temperature to drop.

Please replenish coolant to its proper level after the cooling system has totally cooled.

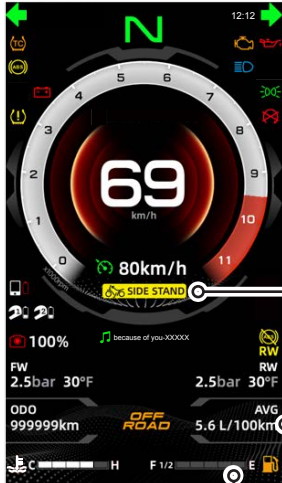
Under normal riding conditions, if the coolant frequently reaches the dangerous temperature, please timely contact an authorized CFMOTO service center.

RW ABS Stop Indicator

When the rear wheel ABS function is stopped, the indicator will be on.

Vehicle Mode

The vehicle can shift between standard mode, sport mode and rain mode to meet different driving conditions.



Side Stand Indicator

When the side stand is used, its indicator light is on. At this time, the motorcycle cannot be started with gear, the vehicle can be started only in the neutral gear.

Information 2

You can select a message from the menu to be displayed here.

Optional Information 2: Range, Voltage, Instant Fuel, Time, Average fuel, Average speed.

Fuel

The fuel is displayed by several bars. The more bars is lit up, the more fuel is available. The measurement of the fuel level is activated when half of the fuel tank level has been reached. The fuel display is full when half of the fuel tank is reached.

Instrument Menu

Adjust instrument settings through the instrument menu to enhance the riding experience.

Press menu button on the left handlebar switch to enter the instrument menu.

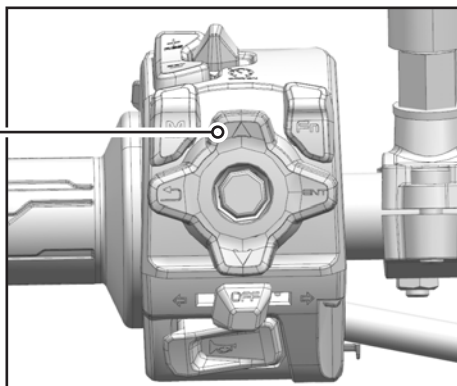
WARNING

The menu mode is only allowed when the motorcycle is parked and safe.

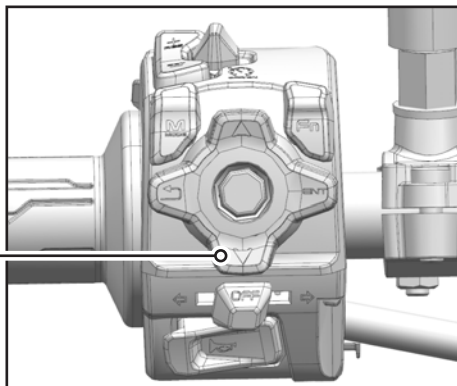
The menu button is on the left handlebar switch and is used to operate relevant instrument functions.



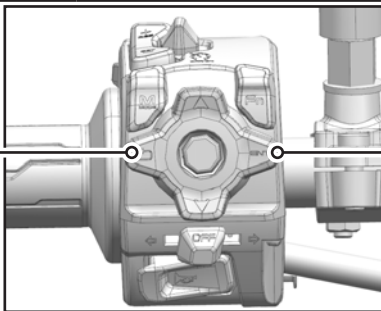
Action button	Main interface	Menu	Menu (Music interface)	Calls (Any interface)	Play music(Main interface)	Music (projection)	Fault pop-up (Any interface)
Short press Δ	Switch optional information 1	Up	Volume +	Volume+	Volume +	Volume +	Invalid
Long press Δ	Reset the current trip	Keep moving to the last option	Shift to the last song	Invalid	Shift to the last song	Shift to the last song	Invalid



Action button	Main interface	Menu	Menu (Music interface)	Calls (Any interface)	Play music(Main interface)	Music (projection)	Fault pop-up (Any interface)
Short press ▽	Switch optional information 2	Down	Volume-	Volume-	Volume -	Volume -	Invalid
Long press ▽	Invalid	Keep moving to the next option	Shift to the next song	Invalid	Shift to the next song	Shift to the next song	Invalid



Action button	Main interface	Menu	Menu (Music interface)	Calls (Any interface)	Play music(Main interface)	Music (projection)	Fault pop-up (Any interface)
Short press the confirm button	Enter the last menu option	Enter to the next level menu/confirm	Play/pause	Pick up the calls	/	Play/pause	/
Long press the confirm button	Invalid	Enter the setting (When set the upshift RPM only)	Invalid	/	Play/pause	/	/
Short press the return button	If pop up a fault window, cancel the fault display (1/each time)	Back to the last level menu	Back to the last level menu	Refuse the calls/hang up the calls	/	/	Cancel the fault display (1/ for each)



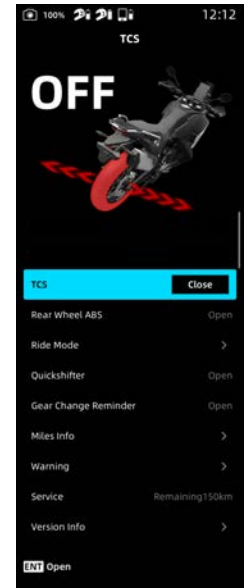
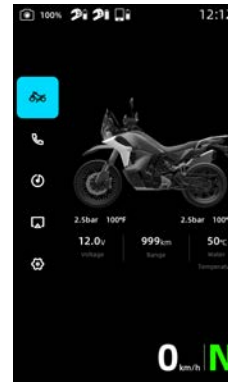
NOTE: The priority of the buttons: Calling > Fault > On the phone > Music > Others

Vehcile Information

Users can inspect and set the following items in the information menu.

Inspection items: Information (Basic info, ODO, Fault, Maintenance, Software and hardware version).

Adjustment and set items: TCS, RW ABS, Driving mode, Quick gearshift, Upshift Alert.



Basic Information

Press ENT to enter the menu interface.

Press \triangle or ∇ to select the **Vehicle Information**, user can inspect the basic information. Such as: voltage, remaining mileage, tire temperature, tire pressure and coolant temperature.



Traction Control System (TCS)

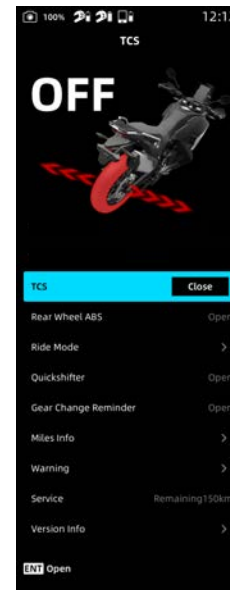
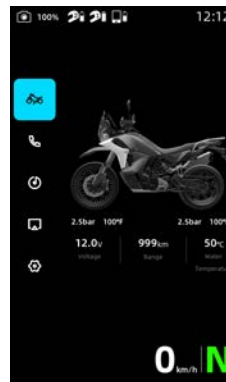
The Traction Control System helps the vehicle get the best traction and stability possible for the riding conditions.

1. The system controls engine power by reducing the amount of fuel injected to mitigate tire slippage caused by loss of tire traction, which can maintain the stability and control of the vehicle.
2. When the motorcycle accelerates sharply, the system helps to better control the power input. If tires slip, it can maintain vehicle stability and traction by reducing the engine output power.
3. When the road is wet, the system helps to reduce tire slippage and increase vehicle traction and stability.

Press ENT to enter the menu interface.

Press Δ or ∇ to select the **Vehicle Information**, and press ENT to enter.

Press Δ or ∇ to select the **TCS**, and press ENT to turn on or turn off the TCS function.



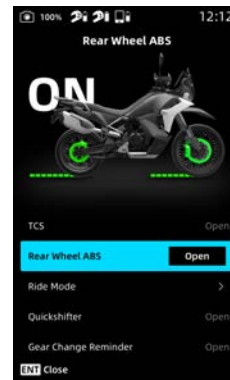
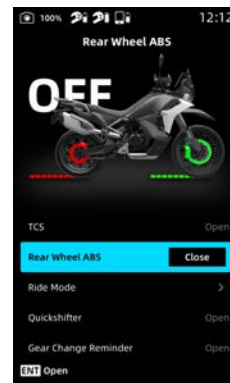
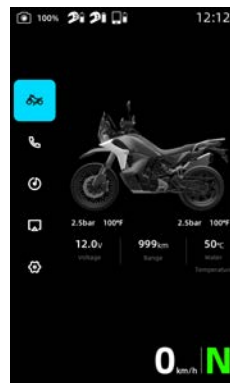
Rear Wheel ABS (RW ABS)

On the vehicle setting interface, you can turn on or off the rear wheel ABS function. (When the vehicle is powered on, this function will turn on by default).

Press ENT to enter the menu interface.

Press \triangle or ∇ to select the **Vehicle Information**, and press ENT to enter.

Press \triangle or ∇ to select the **RW ABS**, and press ENT to turn on or turn off the rear wheel ABS.



Vehicle Mode

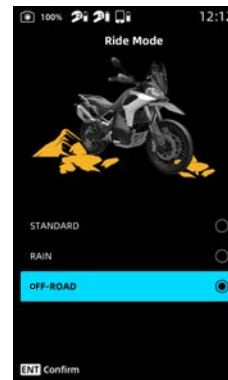
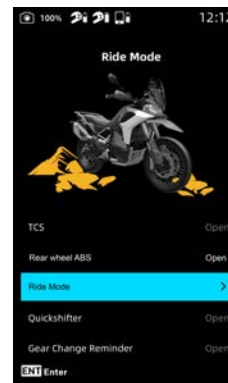
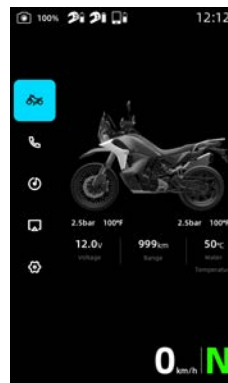
According to the different road conditions and rider's skill, the vehicle can shift between three modes to meet different driving experiences and conditions.

Press ENT to enter the menu interface.

Press \triangle or ∇ to select the **Vehicle Information**, and press ENT to enter.

Press \triangle or ∇ to select the **Vehicle Mode**, and press ENT to enter the vehicle mode.

Press \triangle or ∇ to select your needed vehicle mode, press ENT to confirm.



Quick Gear shifting

This vehicle is equipped with quick gear shifting function. When quick gear shifting function is activated, the gear position can be shifted without operating the clutch lever, and the throttle does not need to be disengaged. The gear can be shifted continuously and uninterrupted.

Quick gear shifting function estimates execution of shifting operation according to the shift gear shaft position, and sends a signal to the engine control system. If the function is turned off, gear shifting must be operated with the clutch lever.

The quick gear shifting function cannot be used when grip the clutch lever.

Press ENT to enter the menu interface.

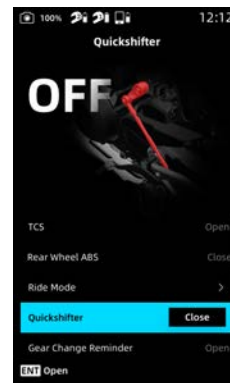
Press \triangle or ∇ to select the **Vehicle Information**, and press ENT to enter.

Press \triangle or ∇ to select the **Quick gear shifting**, and press ENT to turn on or turn off the quick gear shifting function.

Note: If the quick gear shifting function is activated, within the specified RPM range, to upshift gear or downshift gear without gripping the clutch lever.

The minimum RPM before upshift (unit: RPM/minute)/shift to the highest RPM before downshift (unit: RPM/minute), see the chart below:

Upshift RPM	Downshift RPM
1 gear → 2 gear: > 2000 rpm	6 gear → 5 gear: < 9000 rpm
2 gear → 3 gear: > 2000 rpm	5 gear → 4 gear: < 8750 rpm
3 gear → 4 gear: > 2200 rpm	4 gear → 3 gear: < 8500 rpm
4 gear → 5 gear: > 2300 rpm	3 gear → 2 gear: < 8000 rpm
5 gear → 6 gear: > 2400 rpm	2 gear → 1 gear: < 7500 rpm



Upshift Alert

Shifting at the right RPM can effectively reduce the shifting pauses, protect the clutch and so on. Opening and setting the appropriate Gear Change Reminder can help the driver be more quickly familiar with the vehicle.

The recommended upshifting speed is 6500 RPM.

Press ENT to enter the Menu interface.

Press \triangle or ∇ to select **Vehicle Information**, and press ENT to enter Settings interface.

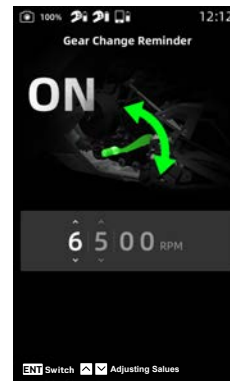
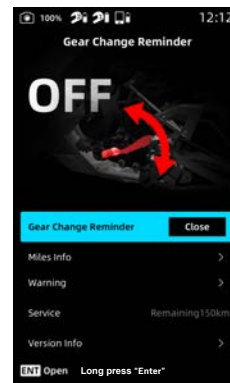
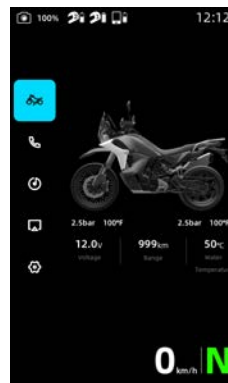
Press \triangle or ∇ to select **Upshift Alert**, and press ENT to turn on or turn off upshift alert.

When the upshift alert is activated, long press ENT to enter the setting interface.

Press ENT to activate the RPM column. At this time, the button icon ' \wedge ' ' \vee ' above and below the kilobit value '6' will light up. (Press \triangle to adjust the number from 2-9, and press ∇ to adjust the number from 9-2).

Press ENT to cycle switching between the kilobit value and hundred value.

After adjustment, press \rightarrow to confirm your selection.



ODO Information

On the ODO information interface, you can check the total mileage, including TRIP1, TRIP2, ODO, driving time, speed and fuel consumption.

Press ENT to enter the menu interface.

Press ENT to enter the menu interface.

Press \triangle or ∇ to select the **Vehicle Information**, press ENT to enter.

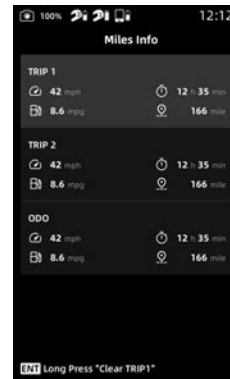
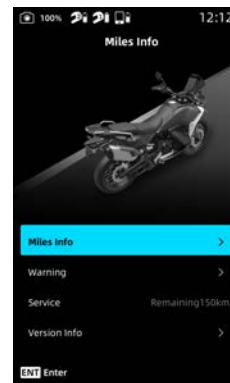
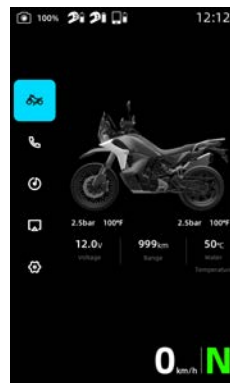
Press \triangle or ∇ to select the **ODO information** interface, press ENT to enter.

Press \triangle or ∇ to select the **ODO/TRIP1/TRIP2**.

TRIP1/TRIP2 Reset

Press \triangle or ∇ to select the **TRIP1/TRIP2**, or long press ENT to reset the TRIP1/TRIP2 data.

NOTE: ODO information cannot be reset.



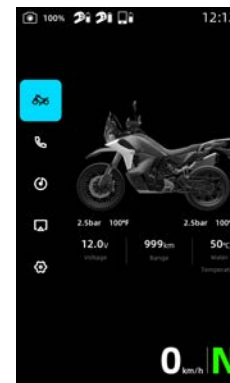
Malfunction

On the fault interface, you can check fault information or a fault reminder. To clear a fault when it occurs, contact an authorized CFMOTO service center.

Press ENT to enter the menu interface.

Press \triangle or ∇ to select the **Vehicle Information**, and press ENT to enter the vehicle setting interface.

Press \triangle or ∇ to select the **Malfunction**, and press ENT to inspect the details. Press ENT again to close the fault information.



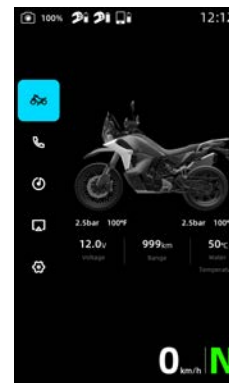
Maintenance

On the vehicle setting interface, you can inspect the service mileage information. When the service mileage is reached, the instrument will display a message to remind you to carry out service at an authorized CFMOTO service center.

Press ENT to enter the menu interface.

Press \triangle or ∇ to select the **Vehicle Information**, and press ENT to enter.

Press \triangle or ∇ to select the **Service information** to inspect the remaining service mileage

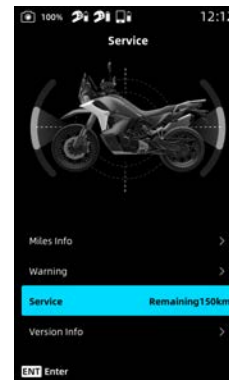


Resetting the service mileage:

Press \triangle or ∇ to select the remaining service mileage.

Press ENT for 10 seconds to reset.

After performing the maintenance in the CFMOTO after-sales center, the machinist gladly reset the rest maintenance miles for you, do not perform the reset by yourself.



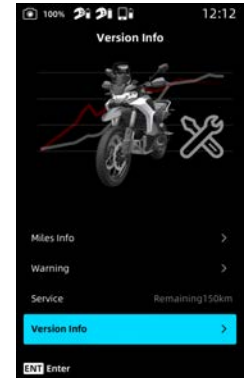
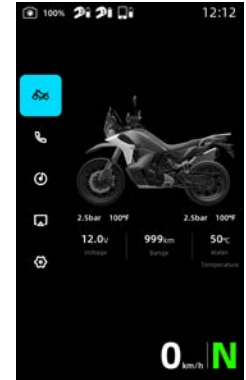
Version

Software and hardware versions of the instrument are displayed here.

Press ENT to enter the Menu interface.

Press \triangle or ∇ to select **Vehicle Information**, and press ENT to enter the Vehicle setting interface.

Press \triangle or ∇ to select **Version**, and press ENT to open the information, press ENT again to close the information.



Phone

In the phone menu, users can check the following contents.

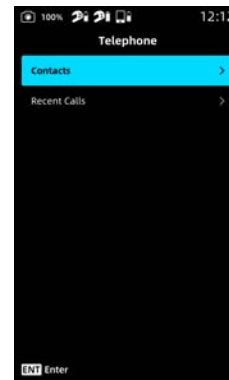
Contacts

Recent Calls

Press ENT to enter the Menu interface.

Press \triangle or ∇ to select **Phone**, and press ENT to enter.

NOTE: Before using the phone, equipment must be correctly connected, and the phone and helmet should be connected to the instrument via Bluetooth.



Contacts

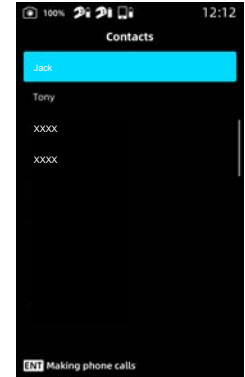
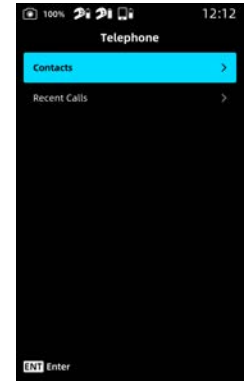
On the contacts interface, users can view the contacts recorded by their Bluetooth-connected mobile phones and dial the numbers.

Press ENT to enter the Menu interface.

Press \triangle or ∇ to select **Phone**, and press ENT to enter.

Press \triangle or ∇ to select **Contacts**, and press ENT to enter.

Press \triangle or ∇ to select the number, and press ENT to dial the number.



Recent Calls

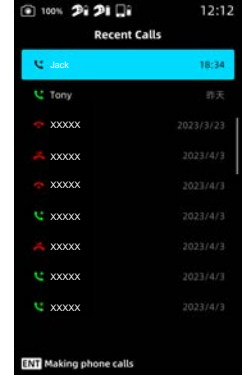
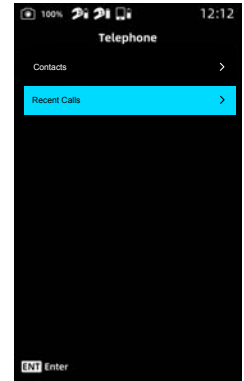
On the recent calls interface, users can view recent calls recorded by their Bluetooth-connected mobile phones and dial the numbers.

Press ENT to enter the Menu interface.

Press \triangle or ∇ to select **Phone**, and press ENT to enter.

Press \triangle or ∇ to select **Recents**, and press ENT to enter.

Press \triangle or ∇ to select the number in the latest calls, and press ENT to dial the number.



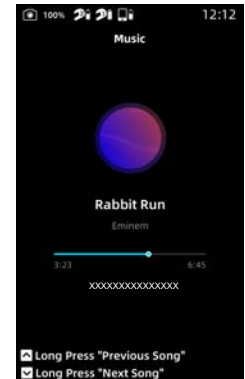
Music

On the music interface, users can play songs on the phone through Bluetooth, and through the button on the LH handlebar to switch the previous song and the next song, or to pause, and continue, to adjust volume and use other functions.

Press ENT to enter the Menu interface.

Press \triangle or ∇ to select **Music**, and press ENT to enter.

Play music through the mobile phone.



System Settings

In the system settings, riders can adjust and set the following

Theme

Unit

Device connection

Information 1

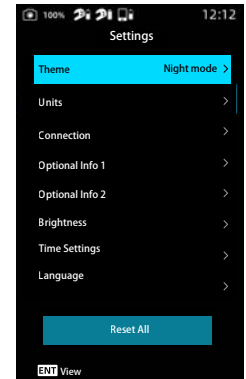
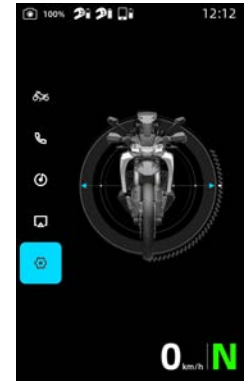
Information 2

Brightness Adjustment

Time

Language

Reset



Theme

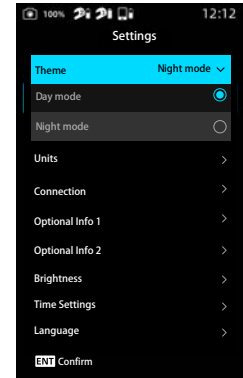
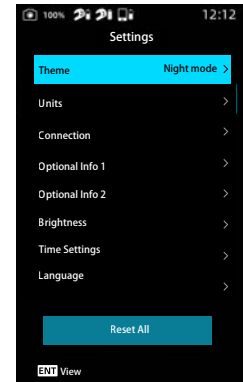
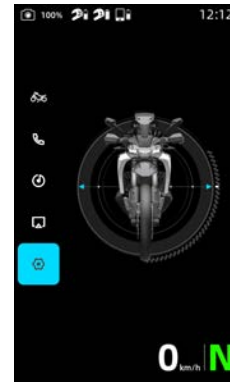
The main interface of the instrument is equipped with two themes, and you can choose your favorite one in the menu.

Press ENT to enter the Menu interface.

Press \triangle or ∇ to select **System Settings**, and press ENT to enter Settings interface.

Press \triangle or ∇ to select **Theme**, and press ENT to enter

Press \triangle or ∇ to select your wanted theme, press ENT to confirm your selection.



Unit

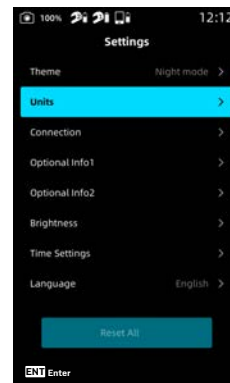
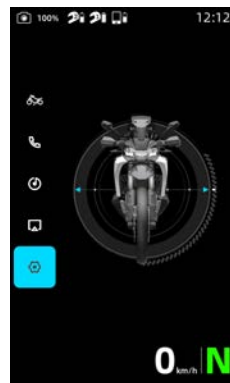
Change units of speed, temperature and tire pressure to suit your preference.

Press ENT to enter the Menu interface.

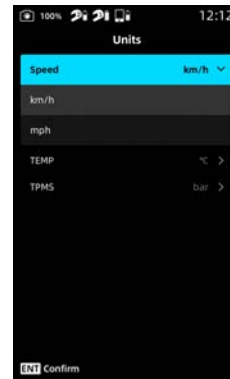
Press Δ or ∇ to select **System Settings**, and press ENT to enter Settings interface.

Press Δ or ∇ to select **Unit Setting**, and press ENT to enter.

Press Δ or ∇ to select the unit you need to switch (speed / temperature / tire pressure), and press ENT to switch the unit.



km.....mph
°C.....°F
bar.....kPa.....psi



Device Connection - Mobile Phones

Phone calls, music and other functions can be used after the phone and helmet are connected to the instrument via Bluetooth.

Follow these steps to connect your phone Bluetooth:

Ensure that the Bluetooth of the mobile phone to be connected is turned on.

Press ENT to enter the menu interface.

Press Δ or ∇ to select **System Settings**, and press ENT to enter.

Press Δ or ∇ to select **Device Connection**, and press ENT to enter.

Press Δ or ∇ to select **Mobile Device**, press ENT to enter, and instrument will automatically search for the Bluetooth device.

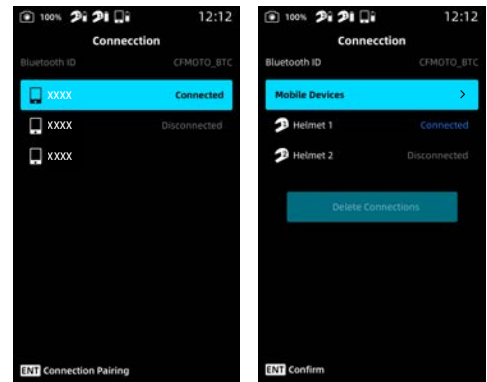
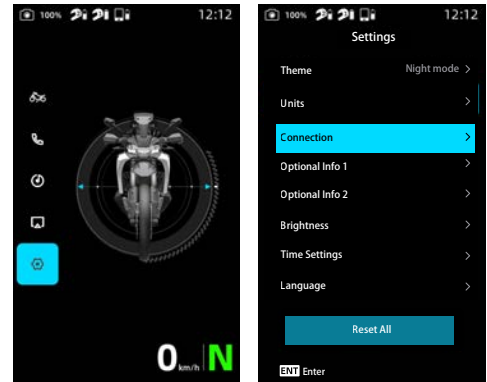
Press Δ or ∇ to select your equipment, and press ENT to connect.

On your phone, a connection message will display. Click to connect it. Wait until your equipment is connected.

After connection, 'connected' will show on your phone.

Disconnection

Press Δ or ∇ to select connected Bluetooth device, and press ENT to disconnect.



Device Connection - Helmet

Follow these steps to connect your helmet Bluetooth:

Ensure that the Bluetooth of the helmet to be connected is turned on.

Press ENT to enter the menu interface.

Press Δ or ∇ to select **System Settings**, and press ENT to enter.

Press Δ or ∇ to select **Device Connection**, and press ENT to enter.

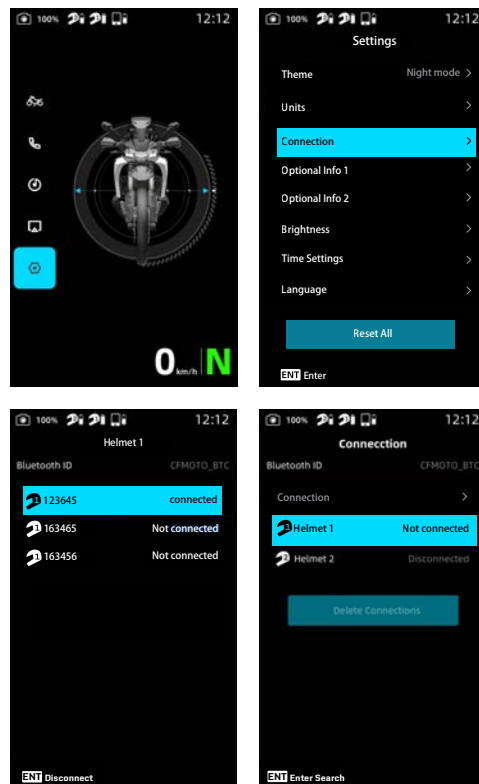
Press Δ or ∇ to select **Helmet 1 / Helmet 2**, press ENT to enter, and instrument will automatically search for the Bluetooth device.

Select your equipment. Wait until it is connected.

After connection, 'connected' will show on your phone.

Disconnection

Press Δ or ∇ to select connected Bluetooth device, and press ENT to disconnect.



Device Connection - Disconnection

Follow these steps to disconnect devices.

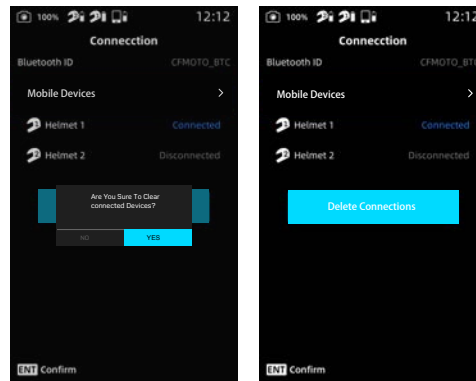
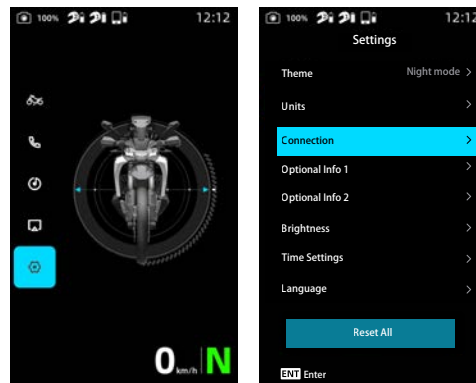
Press ENT to enter the menu interface.

Press \triangle or ∇ to select **System Settings**, and press ENT to enter.

Press \triangle or ∇ to select **Device Connection**, and press ENT to enter.

Press \triangle or ∇ to select **Clear**, and press ENT to enter the popup window.

Press \triangle or ∇ to select cancel/confirm, and press ENT to enter.



Information 1

Select one message from Optional Information 1 to display on the main interface.

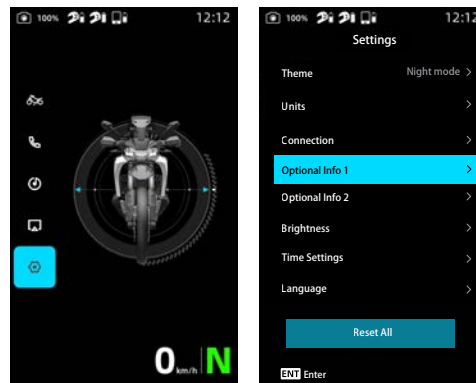
Press ENT to enter the Menu interface.

Press \triangle or ∇ to select **System Settings**, and press ENT to enter the Settings interface.

Press \triangle or ∇ to select **Optional Information 1**, and press ENT to enter.

Press \triangle or ∇ to select wanted Information to display on the main interface, and press ENT to enter.

Optional Information 1: ODO TRIP 1, TRIP 2.



Information 2

Select one message from Optional Information 2 to display on the main interface.

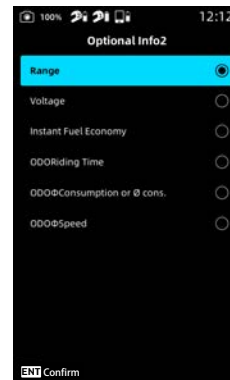
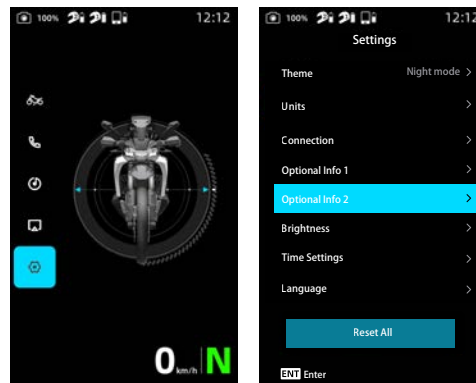
Press ENT to enter the Menu interface.

Press Δ or ∇ to select **System Settings**, and press ENT to enter the Settings interface.

Press Δ or ∇ to select **Optional Information 2**, and press ENT to enter.

Press Δ or ∇ to select wanted information to display on the main interface, and press ENT to enter.

Optional information 2: Range, Voltage, Instant Fuel, ODO Time, ODO Average fuel, ODO Average speed.



Brightness Adjustment

Manually adjust the brightness of the instrument (When the function is activated, the photosensitive sensor will adjust its brightness according to the external environment light.

Press ENT to enter the Menu interface.

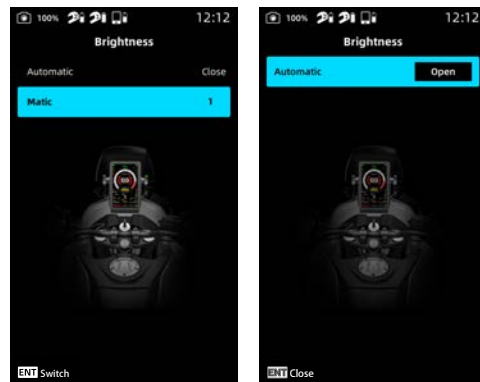
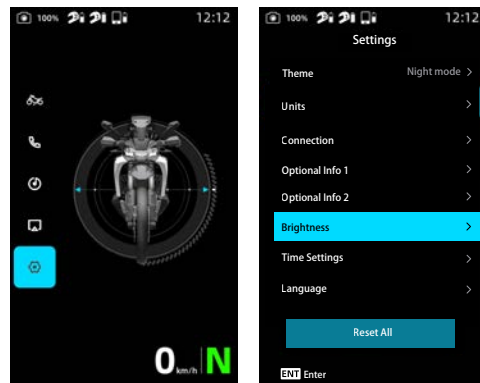
Press Δ or ∇ to select **System Settings**, and press ENT to enter Settings interface.

Press Δ or ∇ to select **Brightness Adjustment**, and press ENT to turn on or turn off automatic brightness adjustment.

After turning off the automatic brightness adjustment, the brightness can be adjusted manually.

Press Δ or ∇ to select brightness adjustment column, and press ENT to activate it.

Press ENT to adjust the brightness.



Time

Adjust the time displayed on the main interface.

Press ENT to enter the Menu interface.

Press \triangle or ∇ to select **System Settings**, and press ENT to enter Settings interface.

Press \triangle or ∇ to select **Time**, and press ENT to enter.

Press \triangle or ∇ to select **Time Format**, and press ENT to switch (12 hours/24 hours).

When the 12 hour format is turned on, the time format is 12 hour format.

When the 12 hour format is turned off, the time format is 24 hour format.

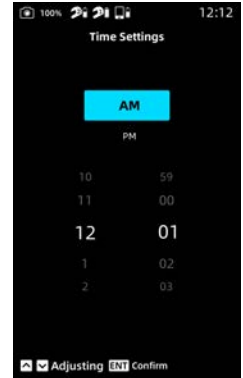
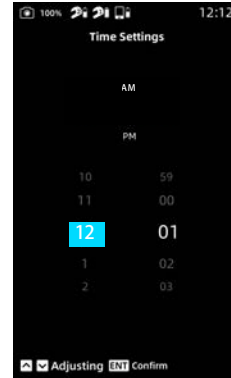
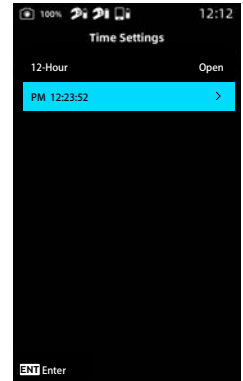
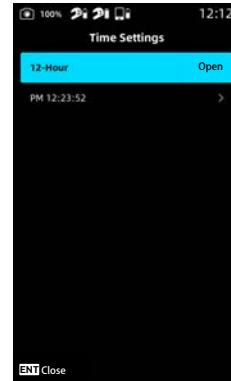
Press \triangle or ∇ to select **Time**, and press ENT to enter.

After enter the interface, it will select 'AM' by default.

Press ENT, time period 'AM' will flash, at this time, press \triangle or ∇ to switched between the 'AM' and 'PM', press ENT again to confirm.

After adjustment of time period, press \triangle or ∇ to select hour '12', press ENT, '12' will flash. At this time, press \triangle or ∇ to adjust the hour value, press ENT to confirm your selection.

Share the same method to adjust the minute.



Language

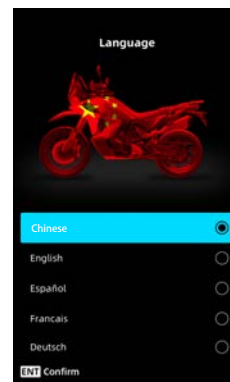
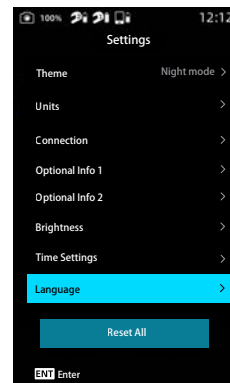
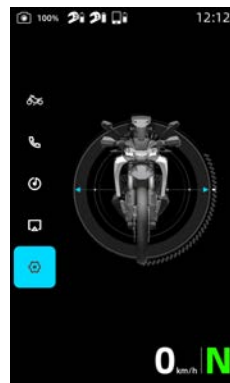
Adjust the instrument's language to suit your preference.

Press ENT to enter the Menu interface.

Press \triangle or ∇ to select **System Settings**, and press ENT to enter Settings interface.

Press \triangle or ∇ to select **Language**, and press ENT to enter.

Press \triangle or ∇ to select your language, and press ENT to confirm



Reset

You can reset all instrument settings.

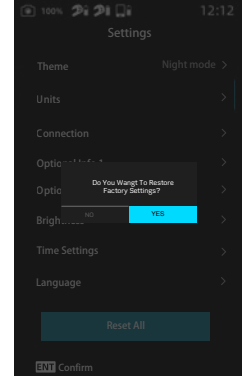
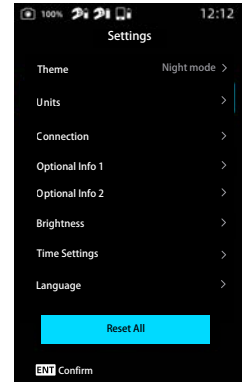
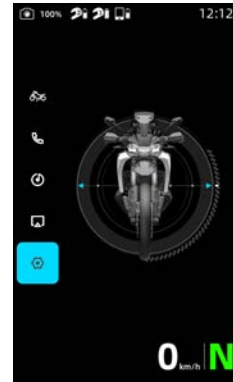
NOTE: This function does not reset ODO or related functions.

Press ENT to enter the Menu interface.

Press \triangle or ∇ to select **System Settings**, and press ENT to enter.

Press \triangle or ∇ to select **Reset**, and press ENT to enter the popup window.

Press \triangle or ∇ to select **Cancel** or **Confirm**, and press ENT to enter your choice.



OPERATING YOUR VEHICLE

Break-In Period

The break-in period for this vehicle is the first 600 miles (1000 km). Maintain the vehicle according to the break-in period requirements.

The following items should be observed during the break-in period:

1. Do not run at high engine speeds immediately when the engine is just started. Allow the engine to warm for 2 ~ 3 minutes at idle speed and let oil flow into all the engine lubricating parts.
2. Do not run the engine at high RPM when the transmission is in neutral.
3. Avoid driving on full throttle.

Do not exceed specified rpm during break-in.

MAX rpm	
Initial mileage: 1000km	6500 rpm
After initial mileage: 1000km	9800 rpm

DANGER

New tires are slippery, which could cause a loss of control and cause damage. Tire pressures should be at the specified value during the 1000km break-in period. Avoid sudden and maximum braking/acceleration and hard cornering during the break-in period.

CAUTION

During the break-in period, the brake system pads and discs require wear-in and may not have reached optimal performance.

When pads and discs are new, avoid following other vehicles too closely or operating situations that require emergency stopping, to avoid an accident.

Daily Safety Inspection

Inspecting the following items before daily riding will help keep your vehicle safe and reliable. If anything abnormal appears, please refer to the Maintenance and Adjustment section or contact your dealer. Do not operate the vehicle in an abnormal condition, as it may lead to serious damage or accidents.

Item	Content
Engine oil	Inspect the oil level to see whether it is proper.
Rear brake fluid reservoir	Inspect the rear brake fluid level to see whether it is proper.
Rear wheel	Inspect the rear wheel and tire for excessive wear, cracks or cuts, embedded items or other damage. Inspect the rear tire pressure to see whether rear tire pressure is within the standard range.
Rear brake	Inspect the thickness of rear brake pad. Inspect thickness of rear brake disc and inspect for any dirt or damage.
Chain and sprockets	Inspect the drive chain and sprockets for dirt and wear, and inspect their tension to see whether it is proper.
Front wheel	Inspect the front wheel and tire for excessive wear, cracks or cuts, embedded items or other damage. Inspect the front tire pressure to see whether is within the standard range.
Front brake	Inspect the thickness of front brake pad. Inspect thickness of front brake disc and inspect for any dirt or damage.
Front brake fluid reservoir	Inspect the front brake fluid level to see whether it is proper.
Luggage (if equipped)	Inspect the luggage to see whether it is fastened securely, and make sure the luggage height is in line with local regulations.

Coolant	Inspect the coolant level to see whether it is proper.
Instrument	Inspect the instrument's fault indicators and inspect the fuel level to see whether there is enough fuel.
Rearview mirrors	Inspect the rearview mirrors to see whether they are in an appropriate view angle.
Lights	Inspect all the lights to see whether they all work well and whether the beam height for front lights meets the local regulations.
Operating parts	Inspect the steering, front and rear brakes, throttle and switches to see whether they can be operated smoothly.
Side stand	Inspect the return spring of the side stand for any looseness or damage.
Stop switch	Inspect the stop switch to see whether it works properly.

⚠ DANGER

Inspect the vehicle every time before riding.

The operator must have the appropriate license to ride the vehicle.

Learn the local regulations, and do not ride the vehicle in the areas where motorcycles are not allowed.

Do not start the vehicle in a closed area or an area without good ventilation. The exhaust generated during engine operation may cause people to lose consciousness or even cause deaths.

Starting

Sit on the vehicle supported with the side stand up.

Turn the key to this position '🔑'.

Ensure the start/stop switch button in middle position '🔑'.

Shift into neutral gear.

Turn the start/stop switch button to position '⚡'.

 **CAUTION**

Running an engine at high RPMs in low temperatures will impact the lifespan of the engine. Always warm the engine at a low speed.

Do not start the vehicle with the start switch until the instrument self-inspection has completed.

The vehicle is equipped with a clutch switch. If you pull the clutch lever and shift into a forward gear with the side stand up, the vehicle can be started.

The vehicle is equipped with a side stand switch. When the transmission is in neutral and the side stand is up, the vehicle can be started.

If you shift into a gear with the side stand down, the engine will turn off.

Do not press the start switch for more than 5 seconds. Please wait for more than 15 seconds to press the start switch again, or it will cause the battery to discharge.

It is recommended that the vehicle should not idle for a long time. Idling for 30 minutes or more will cause the battery temperature to be too high, which affects battery life.

Starting Off

Pull in the clutch lever, shift into a gear, then release the clutch lever slowly and at the same time apply the throttle gently.

Shifting, Riding

<u>Shifting Gears Without Quick Gear Shifting:</u> Pull in the clutch lever and release the throttle. Shift to the next gear with the gear shift lever. Release the clutch lever and slowly open the throttle at the same time to finish shifting the gear. Hold the handle bar and drive with throttle applied.	<u>Shifting Gears With Quick Gear Shifting:</u> Open the throttle gently and upshift the gearshift pedal as necessary. Release the throttle and downshift the gearshift pedal as necessary. Hold the handlebar and drive with throttle applied.
--	--

WARNING

Avoid any abrupt load alterations or strong brake operation, which can cause an out of control vehicle.
Adjust the speed according to road conditions and situation around you.
When the engine RPM is high, do not shift into lower gears. Release the throttle first and reduce the engine speed.
All adjustments for vehicle operation should be made when vehicle is at a standstill.
The passenger must be seated properly on the passenger seat with feet on the rear foot pegs, wearing a helmet and other safety protection, and holding onto the operator or grab handle.
Comply with the local traffic regulations for minimum passenger age.
Comply with all local traffic regulations, and ride defensively and cautiously to detect danger as early as possible.

 **WARNING**

When the tires are cold, their road grip performance is reduced. Be cautious and ride at a safe speed until the tires reach operating temperature.

Do not exceed the maximum full load, which includes the motorcycle, driver, passenger and luggage.

Luggage sliding will affect the riding performance, so inspect luggage to confirm it is properly secured on the vehicle and to ensure that its width does not exceed 0.15m from the handlebar on the left and right sides.

In the event of an accident, the damage from crashing could be more serious than it looks. Inspect the vehicle completely to make sure it is safe, or take the vehicle to a CFMOTO dealer for inspection.

Improper gear shifting may lead to damage of the gear box.

If equipped with the quick gear shifting function, it can be used when this function is activated in the instrument setting.

Operate the throttle according to the road conditions and climate. Do not shift gears or aggressively rotate the throttle during turns.

Braking

Release the throttle when applying the brakes, and use front and rear wheel brakes for braking at the same time.

Finish braking before turning, and shift to a lower gear according to the speed required.

On a long downhill ride, please leverage the brake force of the engine and shift to lower gears, but do not allow the engine to operate with high RPM. When using engine's brake force, it helps to reduce the braking force required of the brake system, and the brake will not be overheated.

WARNING

Moisture, dirt and salt for melting snow will impair the brake system. Brake carefully several times to dry out moisture, remove dirt and melting snow from the brake pads and discs.

If the hand brake lever and foot brake lever feel soft, stop riding until the brake system is fully inspected and the problems are eliminated.

Take your foot off the foot brake lever when you are not braking. Extended braking will cause the brake pads to overheat and excessively wear, which will affect their service life and safety.

When carrying a passenger or luggage, the required braking distance to stop will increase. Please adjust your brake time according to the vehicle load.

When ABS is enabled, you can achieve maximum braking power - even on low-grip surfaces such as sandy, wet or slippery roads - without locking the wheels.


When ABS is not activated, urgent braking will cause wheel locking. Ensure ABS is enabled to protect your safety.

Under certain circumstances, ABS may lead to the braking distance increased. Adjust the braking method according to the riding situations and road conditions.

Parking

Stop the vehicle with brake.

Shift the gear to Neutral.


Press start/stop switch button to this position '  ' to turn off the engine.

 Caution
--

Most of the electrical parts will not be disconnected when using the stop switch to turn off the engine and the ignition lock is connected, thus causing the battery to discharge. Always use the ignition lock to turn off the engine, stop switch only can be used in an emergency.

Turn the ignition key to this position '  ' to turn off the ignition system.

Use a side stand to support the vehicle on a firm and level ground.

Turn the handlebar to left, rotate the key to this position '  ' to lock the handlebar.(For better lock the , you can remove the handlebar left and right slightly)

Remove and take away the key.

 **WARNING**

When the engine is running, do not leave the vehicle unattended.

Secure the vehicle against use by unauthorized people.

Lock the steering when leaving the vehicle unattended.

After using the vehicle, the temperature of some parts will be very high. Do not touch parts such as the exhaust system, cooling system, engine, or brake system.

Do not park the vehicle near materials that are highly flammable or explosive. Hot parts may ignite these materials.

Improper parking may cause the vehicle to slip and roll over, which will lead to severe damages.

SAFETY OPERATION

Safe Riding Tips

The following items are applicable for daily motorcycle use and should be carefully observed for safe and effective vehicle operation:

For safety, goggles and a helmet are strongly recommended. You must be aware of traffic regulations for the safe riding. Safe riding gear such as gloves and suitable footwear should also be used for protection.

Wear protective apparel when riding in case of any collision with other vehicles. Without protective apparel, no safety can be ensured. Before changing lanes, look over your shoulder to make sure the way is safe. Do not rely solely on the rearview mirrors. You must judge distance and speed of other cycles, or accidents may occur.

When climbing up steep slopes, shift to a lower gear to increase the motor's torque output, thus avoiding overloading.

When applying the brakes, apply both the front and rear brakes at the same time. Applying only one brake for sudden braking may cause the motorcycle to skid and lose control.

When going down long downhill slopes, control vehicle speed by releasing the throttle. Use the front and rear brakes for auxiliary braking.

In wet conditions, rely more on the throttle to control vehicle speed and less on the front and rear brakes. The throttle should also be used judiciously to avoid skidding the rear wheel during rapid acceleration or deceleration.

Riding at the proper speed and avoiding unnecessary acceleration are important not only for safety and low fuel consumption, but also for longer vehicle life and quieter operation.

When riding in wet conditions or on loose roadway surfaces, vehicle performance will be reduced. All of your actions should be smooth and flexible under these conditions. Sudden acceleration, braking or turning may cause loss of control.

Practice your operating skills cautiously and slowly in an open area and hold the fuel tank with the knees for better stability. When there is a quick acceleration, shift to a lower gear to obtain the necessary power. Do not downshift at high RPM to avoid damage to the engine. Avoid unnecessary use of fabric tape which may entangle the rider or motorcycle.

Additional Cautions for High Speed Operation

Brakes: Braking is very important, especially during high speed riding and the braking force cannot be too large. Inspect and adjust the brakes to get better performance.

Handling: Looseness of the handling parts may cause loss of control. Inspect the steering to see whether it can turn freely without shaking.

Tires: High speed operation requires the tires to be in good condition. Good-condition tires are crucial for safe riding. Inspect their pressure and the wheel balance.

Fuel: Ensure that there is enough fuel and a smooth supply of fuel for high speed operation.

Oil: To avoid engine failures which could result in loss of control, make sure the oil level is maintained between the upper and lower level lines.

Coolant: To avoid overheating, check and make sure that the coolant level is between the two level lines.

Electrical Equipment: Make sure that the headlights, tail/brake light, turn signals, horn, etc., work properly.

Fasteners: Make sure that all nuts and bolts are tight and that all safety-related parts are in good condition.

DANGER

Do not speed on expressways. Obey the relevant laws and regulations. Motorcycles may be banned on expressways in some places unless they are approved by traffic authorities and operators have the appropriate skills and protection.

Precaution for Off-Road Surfaces

Driving on off-road surfaces (unpaved roads) is different than a paved road. It requires driving experience, and errors may lead to serious injury. Consider joining a riding club to get more off-road instruction and experience.

Always keep a safe distance from riders ahead of you and behind you when riding in a group. Never operate carelessly or make unexpected maneuvers with other vehicles nearby. Stay on designated trails and riding areas, and discourage others from operating in unauthorized locations.

Pay attention to the following safety precautions to prevent accidents on off-road surfaces:

Danger

1. Cargo weight carried in the left and right side boxes (if equipped) should be as equal as possible. Balance is very important when driving off-road, especially in sandy terrain or wetland terrain where it is easy to get stuck or drift, and additional throttle is needed to maintain a constant speed.
2. When driving off-road in complex or extreme surface conditions, reducing the tire pressure appropriately can improve operating control, traction and stability.
3. Smoothly rotate the throttle during off-road driving. Avoid abrupt throttle changes.
4. Keep the handlebar stable during off-road driving to prevent steering wobbling.
5. Try to use the rear brake and engine braking to reduce speed and maintain steering control.
6. Plan a sensible driving route. Avoid serious conditions or surfaces that are beyond your driving ability. Pay high attention to the riding conditions, and try to choose solid ground.
7. Avoid deep puddles and muddy ground. If you cannot avoid these hazards, first test the water depth or surface condition.

Consult your authorized CFMOTO dealer for more safety information.

MAINTENANCE

Careful and periodic maintenance will help keep your vehicle in the safest, most reliable condition. Inspection, adjustment, and lubrication of important components are explained in the Periodic Maintenance Chart.

Inspect, clean, lubricate, adjust, and replace parts as necessary. When inspection reveals the need for replacement of certain parts, always use original parts from your dealer.

NOTE
Periodic maintenance and adjustments are critical. If you are unfamiliar with maintenance procedures, have a qualified dealer do that for you.

Pay special attention to the oil level during cold weather operation. A rise in oil level can indicate that there are contaminants collecting in the oil sump or crankcase. Change oil immediately if the oil level begins to rise. Monitor the oil level, and if it continues to rise, stop using the vehicle and inspect for reasons or see your dealer.

Improper Use

CFMOTO defines improper use of the vehicle as:

- Often immersed in mud, watery or sandy places.
- Racing or race-style use of high RPM.
- Running at low speed for a long time, and carry heavy load.
- Idle the engine for a long time.
- Short-distance operation in a cold weather.
- For commercial use.

If this vehicle is used in a way that matches any of these definitions, decrease the maintenance intervals by 50%.

Key Points of Lubrication Schedule

Check all components at the intervals outlined in the Periodic Maintenance Chart. Items not listed in the schedule should be lubricated at the general lubrication interval.

- Change lubricants more often under severe conditions, such as being used in wet or dusty conditions.
- Lubricate before long periods of storage, after pressure washing, or after submerging drive system.

Item	Specifications	Method
Engine oil	SAE 10W-50 JASO T903 MA2	Inspect the oil level from the oil view window.
Brake fluid	DOT4	Keep the level between upper and lower lines.

CLUTCH LEVER FREE PLAY

Inspect the flexibility of the clutch lever.

Straighten the handlebar.

Slowly apply the clutch lever until the resistance is evident.

Measure the free play at location A: 0.079 in (2 mm) is appropriate.

WARNING

Inadequate free play for the clutch lever can strain the clutch cable and affect clutch engagement, causing slippage and excessive wear.

Inspect the free play every time before running the engine.

Set the free play as stipulated when necessary.

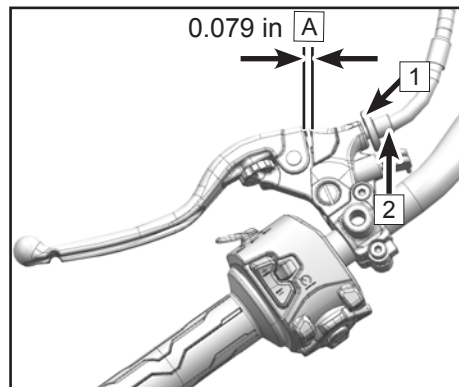
Fine adjustment of clutch lever free play

Straighten the handlebar.

Loosen lock nut **1**.

Rotate the adjusting nut **2** for adjustment.

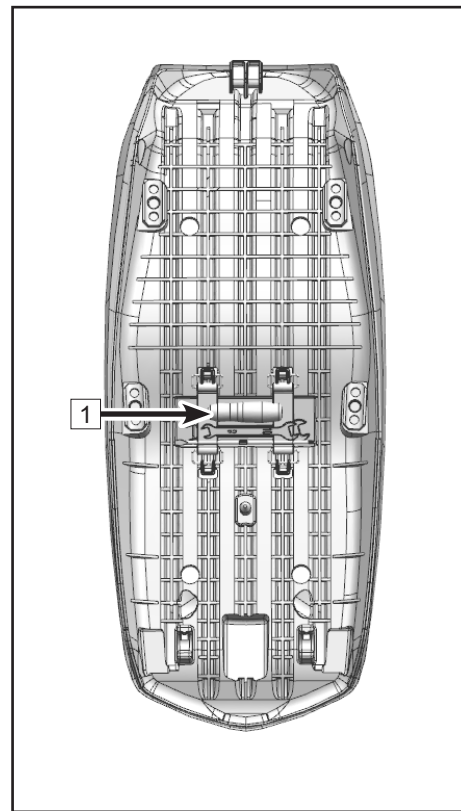
Tighten the lock nut **1**.



TOOL KIT

The tool kit **1** is placed at the bottom of the seat. It can help maintain and disassemble some parts of the vehicle.

Note: The accessory kit is equipped with a tool package at the factory, and it includes basic service tools.



FUEL SYSTEM

Fuel Tank

Avoid spilling fuel to the outside of the fuel tank when filling. If a spill occurs, wipe it off immediately to avoid pollution or causing danger.

Fuel tank volume: 5.9 gal (22.5 L)

DANGER

Gasoline is flammable, so fuel should be filled in a ventilated area. Before refueling, turn off the engine and wait for the engine and muffler to cool. No smoking or any acts that cause sparks are allowed in the fuel filling area or fuel storage area.

Never fill the tank excessively. Avoid the fuel from overflowing onto high-temperature parts. The fuel level should not exceed the maximum fuel level surface. As temperature rises, fuel can heat and expand, and then may spill over and damage motorcycle parts.

Fuel is toxic and harmful to health. Avoid touching the skin, eyes and clothes. Do not inhale fuel vapor.

If the fuel touches the skin, wash the skin with plenty of clean water.

If the fuel touches the eyes, wash eyes immediately with clean water and see a doctor immediately.

If the fuel touches the clothes, change the clothes immediately.

If the fuel is swallowed by mistake, see a doctor immediately.

After maintenance or disassembling parts of the fuel system, please contact your dealer for complete inspection to avoid fuel leaks or other dangers.

Dispose of fuel properly to avoid damage to the environment.

Fuel Requirements

The recommended fuel for your vehicle is E5/E10 or 95(RON)/98(RON). Non-oxygenated (ethanol-free) fuel is recommended for best performance in all conditions.

CAUTION

Do not use leaded gasoline, as it will destroy the catalytic converter. (For further understanding, please consult related materials about the catalytic converter)

Be sure to use fresh gasoline. Gasoline oxidation will result in loss of octane and volatile compounds. It also produces colloidal and lacquer deposits which could damage the fuel system.

Octane Rating (RON)

'RON' is a technical term commonly used to describe the octane rating of gasoline. The higher the number of RON, the greater the resistance to knocking and detonation. Always use unleaded gasoline with an octane rating equal to 95/98 or higher.

CAUTION

If the engine has a knocking cylinder or detonation, use a unleaded gasoline of higher quality or higher RON.

Refueling

Before opening the fuel tank: Make sure the vehicle is stopped and the engine is turned off.

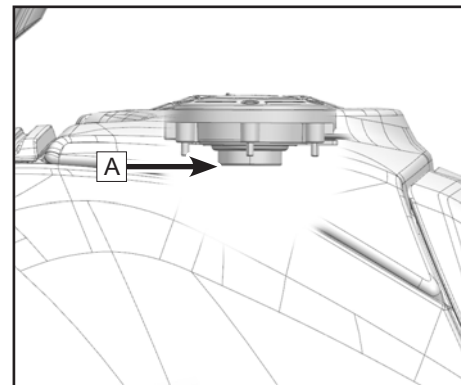
Open the fuel tank.

Add fuel, and its highest level should be at **A**, the bottom of refueling port.

Cover the fuel tank.

CAUTION

Because of the expansion of fuel in its tank when the temperature gets higher, over-fueling may cause fuel to spill.



CAUTION

Due to the particular structure of the tank, it is divided into two different-sized chambers, left and right, the left chamber is equipped with an oil pump, the right one is equipped with an oil level sensor. Both of the chambers are connected by a connecting pipe.

When refilling, if the fuel cannon is aimed toward the left chamber, fuel will enter that chamber first, then travel via the connecting pipe into the right chamber. After the refueling, vertically support the vehicle body about 5 minutes until the oil is even in the two chambers. Then turn on the power supply with the key, at this time, the fuel displayed on the instrument is accurate.

 **CAUTION**

When refilling, if the fuel cannon is aimed toward the right chamber, fuel will enter that chamber first and sensed by the oil level sensor. The fuel will flow into the left chamber through the connecting pipe following. If you turned on the power supply after the fueling, the displayed fuel is not accurate. Vertically support the vehicle body about 5 minutes until the oil is even in both chambers. Then turn on the power supply with the key, at this time, the fuel displayed on the instrument is accurate.

When the vehicle fuel <5 bars, the side stand is lowered and in the parking state, the fuel will flow to the left side of the tank chamber, and the fuel will not flow to the right side of the tank chamber immediately after the vehicle is vertically supported. Wait for about 2 minutes until the fuel in both chambers is even, then turn on the vehicle's power supply, at this time the fuel displayed on the instrument is accurate.

ENGINE ASSEMBLY

For the engine, transmission, clutch and other parts to work properly, make sure that the oil level is between the upper and lower lines from the oil view window, and check and replace the oil according to the Periodic Maintenance Chart. Long time use of engine oil will not only produce dirt and metallic impurities, but the oil will also consume itself.

DANGER

Riding the motorcycle with insufficient, deteriorated or highly contaminated oil will cause accelerated wear and may result in engine or transmission's damage, which could cause an accident and/or personal injury.

Oil Level Inspection

Make sure the vehicle is turned off.

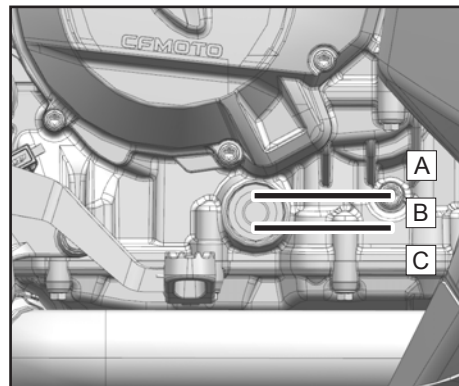
If the engine had just been running, please wait for 2 to 3 minutes for the oil to settle.

Support the vehicle vertically on a level surface, and then view the oil level inspection window.

If the oil level is at area A, drain out the oil until the level is within area B.

If the oil level is at area B, it is at the proper level.

If the oil level is at area C, or no oil level can be viewed, fill the engine with the recommended oil until the level is within area B.




Oil and Oil Filter Replacement

Park the vehicle by side stand on level ground
Idle the engine for several minutes. Then turn off the engine.

WARNING

Warming up the engine for a long period may lead to high temperature of the engine and oil. Please wear suitable protective clothing and gloves when changing oil. In the event of scalding, wash the scalded area immediately with running water for more than 10 minutes until feeling no pain and see a doctor.

Remove the bolts  1


Remove the screw, damping rubber sleeve and bushing kit  2

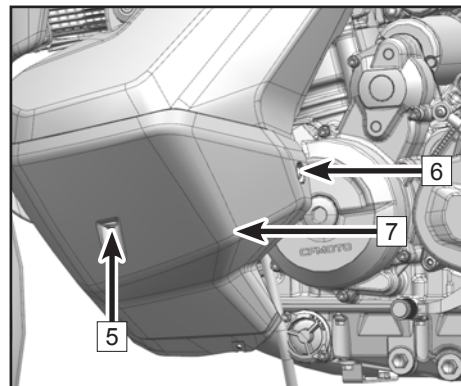
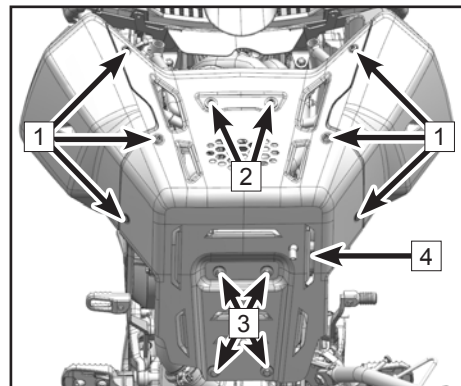
Remove the bolt and damping rubber sleeve, and bushing kit  3

Remove the lower panel of engine  4.

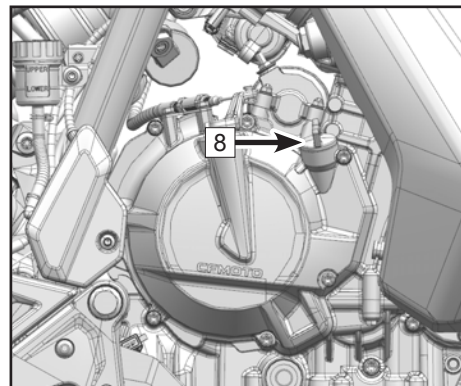
Remove the screws  5.

Remove the screw, damping rubber sleeve, bushing kit  6.

Remove the left lower panel of the fuel tank  7.



Remove the engine oil filler screw plug **8** and o-ring seal.



Place an oil basin under the left side of the engine.

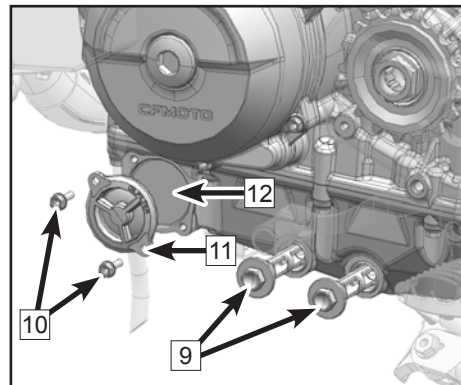
Remove the drain oil screw plug **9** and o-ring seal, magnet and oil filter.

Remove the bolts **10**.

Remove the oil filter cap **11** and o-ring seal.

Using the stop caliper to take out the engine oil filter **12** from the housing body.

Drain out the engine oil completely.



⚠ WARNING

Oil is a toxic substance, so the used oil should be disposed of properly.

Clean the parts and seal surface completely.

Install the new oil filter **12**.

NOTE: Install the oil filter by hand.

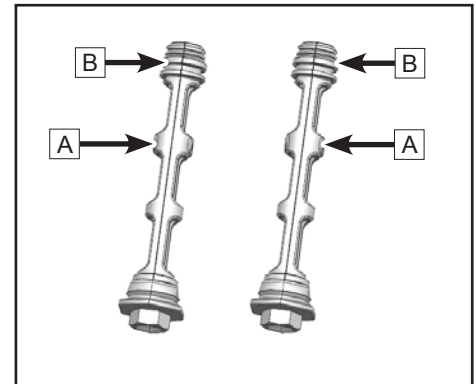
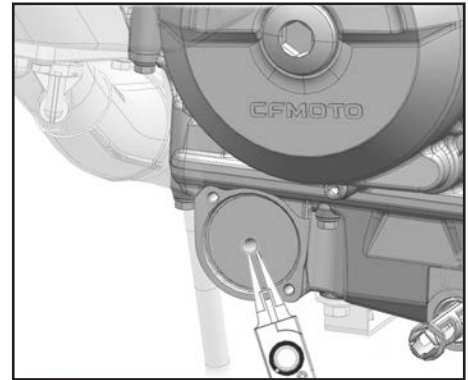
Apply an appropriate amount of lubricating oil when replace a new o-ring seal of the oil filter cover **11**.

Mount the oil filter cover **11**.

Install and secure the bolts **10** to specified torque.

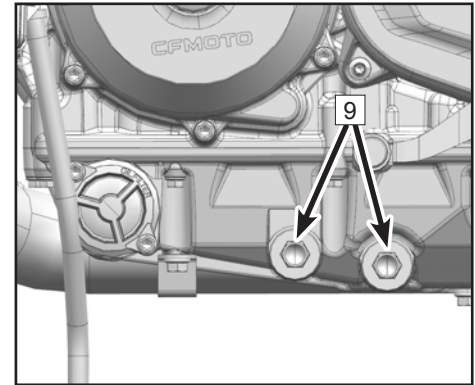
Bolt **10 torque: 4.4 ft-lb (6 N•m)**

Completely clean the magnet **A** and oil filter **B** from the drained oil screw plug **9**.



Mount the drained oil screw plug **9** and magnet, oil filter and new o-ring seal ring until the specified torque.

Screw plug **9 torque: 14.7 ft-lb (20 N•m)**



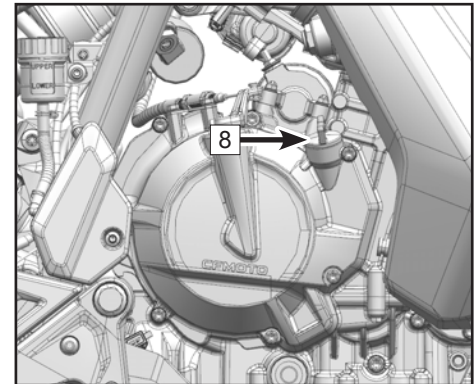
Fill the 3 qt (2.8L) of SAE10W-50 JASO T903 MA2 oil from the filler port on the upper part of the clutch cover.

Remount the filler port screw plug **8** and o-ring seal, then secure them.

Idle the engine for several minutes to allow the oil flow into the oil filter.

Turn off the engine.

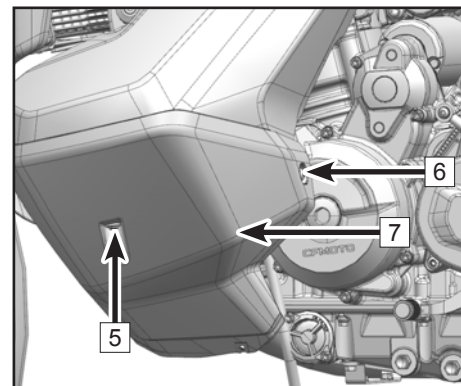
Inspect the oil level and adjust it as necessary until the required level is reached.



Mount the left lower panel of the fuel tank **7**;

Mount the screw, damping rubber sleeve and bushing kit **6**.

Mount the screw **5**;

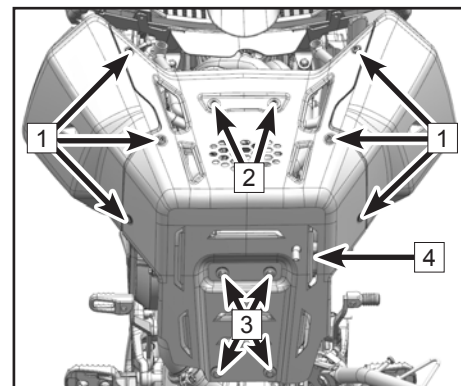


Mount the lower panel of the engine **4**;

Mount the bolts **1**;

Mount the screw, damping rubber sleeve and bushing kit **2**;

Mount the screw, damping rubber sleeve and bushing kit **3**;



Engine Oil Capacity

Change with oil filter: 3 qt (2.8 L)

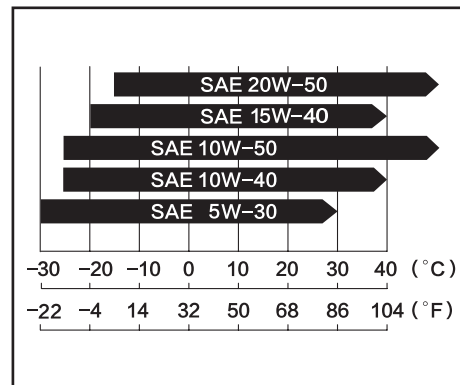
CFMOTO recommends to use APISJ oil or higher. JASO T903 MA2 oil is the first choice. Although 10W-50 engine oil is the recommended oil for most conditions, the oil viscosity may need to be changed to accommodate atmospheric condition in your riding area. Please choose the oil according to the chart provided.

CAUTION

Inadequate oil or low quality oil will lead to the engine wear too early.

To ensure the optimum performance of oil, do not mix the different kinds of oil.

Replace the oil as necessary.



Spark Plug

The spark plug should be replaced in accordance with the Periodic Maintenance Chart.

Its disassembly should only be performed by an authorized dealer.

Spark plug type: NGK LMAR9AI-10

Spark plug clearance 1 : 0.035 in ~ 0.039 in (0.9 mm ~ 1 mm)

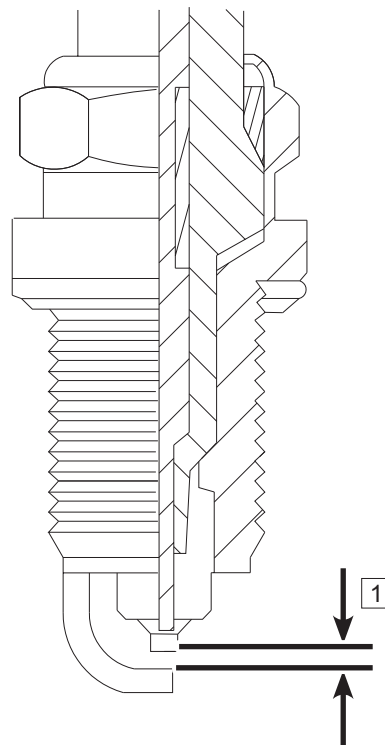
Torque: 7.3 ft-lb (10 N•m)

Idling

The idling speed of this vehicle has been adjusted at the factory and cannot be adjusted by users, otherwise its performance will be affected. When parts affecting idling speed need to be replaced, contact your dealer for replacement and recalibrate the ECU with PDA.

⚠ DANGER

Improper adjustment of idling may cause serious consequences.



AIR INTAKE AND EXHAUST SYSTEM

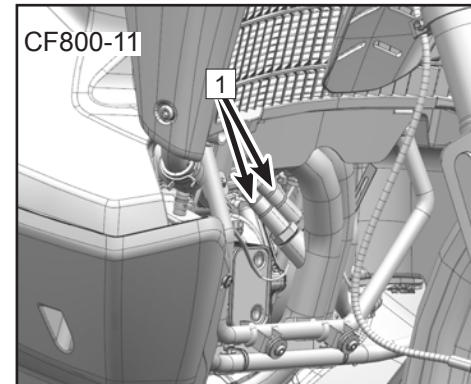
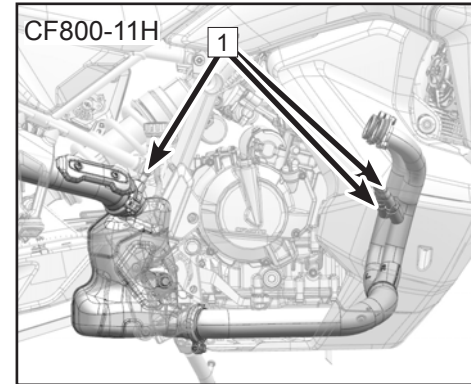
Exhaust Detecting System

Exhaust detecting system depends on oxygen sensor **1** mounted on exhaust pipes, and they can detect the air & fuel combustion degree by measuring oxygen density and transferring it as an electrical signal to the ECU. If the ECU determines that combustion is not thorough, it will adjust fuel injection in accordance with signals from the Throttle Position Sensor and Intake Air Temperature sensors. By this way, the ratio of air to fuel can be optimized for thorough combustion.

Air Intake/Exhaust Valve

An air intake valve is a valve which inhaling the fresh air into the engine to mix with the fuel for combustion. To provide the engine with the necessary oxygen and fuel, to finish the combustion process. Have a dealer inspect the air intake valves in accordance with the Periodic Maintenance Chart. Also, have the air intake valves inspected whenever stable idling cannot be performed stably, engine power is greatly reduced, or there are abnormal engine noises.

An exhaust valve is a valve that expels the waste gas from the combustion to help dissipate heat and to prevent the engine from overheating. Have a dealer inspect the exhaust valve in accordance with the Periodic Maintenance Chart. Inspect the



exhaust valve if the acceleration is powerless, slightly backfires when sharply applying the throttle, there is abnormal noise from exhaust pipe noise, or the vehicle is failure to start.

Air intake/exhaust valve removal and inspection should only be performed by an authorized CFMOTO dealer.

Valve Clearance

The valves and valve seats will wear during operation, thus the need for adjustment after being used for a period of time.

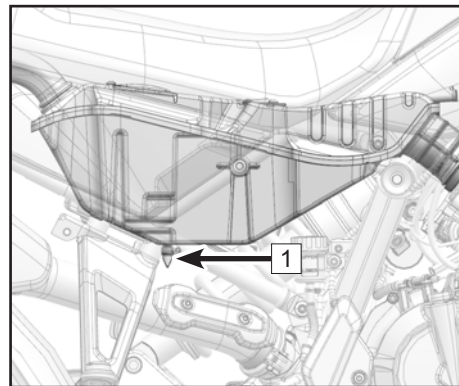
WARNING

When valves and valve seat tappets are wore during use, and if adjustment of the valve clearance is not performed, it will eventually result in no clearance or cause the valves remaining partly open, which reduces performance, creates valve noise, and can cause serious engine damage. Valve clearance for each valve should be inspected and adjusted in accordance with the Periodic Maintenance Chart. Inspection and adjustment should be performed by a CFMOTO dealer.

Air Filter

A clogged air filter restricts air flow, increases fuel consumption, reduces engine performance, and causes spark plug fouling. The air filter element must be cleaned in accordance with the Periodic Maintenance Chart. When riding in dusty, rainy or muddy conditions, the air filter element should be serviced more frequently than the recommended interval in the Periodic Maintenance Chart. Due to the vehicle's design, air filter service should be performed only by an authorized dealer.

The air filter storage hose **1** is set at the back of the engine. If the air filter housing has oil or water residue inside, it should be drained manually.



⚠ CAUTION

Oil on tires, plastic or other parts will cause damage.
If the engine intakes unfiltered air, it will reduce its service life.
Never start or use the vehicle without an air filter.

Throttle Body

The stop screws on the throttle body have been set precisely and cannot be adjusted. Inspect the vehicle to see whether its idling is stable, and if the idling is not stable, please ask CFMOTO to assign professional technicians to deal with this problem.

COOLING SYSTEM

Radiator and Cooling Fan

Inspect the radiator fins for deformation and obstruction by mud, and clean off any obstruction with clean water.

WARNING

When the fan is working, prevent your hands and clothing from getting inside the fan to avoid any injury. Using high-pressure water to clean the vehicle could damage the radiator fins and reduce the radiator's effectiveness.

Mounting unauthorized accessories in front of the radiator or behind the cooling fan may obstruct or change the radiator airflow, and can lead to overheating and damage.

If the radiator is obstructed more than 20% by irremovable obstructions or irreparable deformed fins, then replace it with a new radiator.

Radiator Hoses

Inspect the radiator hoses for leaks, cracks, aging, rust, corrosion and connections for leaks or looseness daily before riding the motorcycle. Inspect the vehicle in accordance with the Periodic Maintenance Chart.

Coolant

Coolant absorbs heat from the engine and transfers it to the air by the radiator. If the coolant level is too low, the engine will overheat and may suffer from severe damages. Inspect the coolant level daily before riding the motorcycle and perform maintenance in accordance with the Periodic Maintenance Chart. Replenish the coolant if its level is too low.

To protect the cooling system (engine and radiator are made of aluminum) from rust and corrosion, the use of anti-corrosion and anti-rust chemicals in the coolant is essential. If the coolant has already these chemicals, there is no need to add them separately.

DANGER

Coolant is toxic and harmful to health.

Do not allow the coolant to touch skin, eyes or clothing.

If coolant is swallowed, see a doctor immediately.

If coolant touches the skin, flush the skin with plenty of clean water immediately.

If coolant touches the eyes, flush the eyes with plenty of clean water and see a doctor immediately.

If coolant splashes on clothes, change the clothes and wash them immediately.

Any corrosion or rust remains from the engine and radiator should be disposed of by special instructions, because the chemicals inside are harmful to the human body.

⚠ CAUTION

Do not add tap water to the coolant system, for it will cause deposit inside the cooling system. When the temperature is below 0°C, ice will occur and severely affect the coolant system.

Available bottled antifreeze in the market contains anti-corrosion and anti-rust chemicals. When it is diluted, it loses its anti-corrosion and anti-rust function. Keep the diluted concentration of antifreeze the same as the instructions from the manufacturer.

When replenishing the coolant which color is red and contains ethylene glycol. When the environment temperature is below -31°F (-35°C), please ensure the coolant has a freezing point below -31°F (-35°C).

CFMOTO coolant is an Organic Acid Technology (OAT) formula. When replenishing or replacing coolant, verify the label states 'compatible with one or more of the following formulas: OAT or Si-OAT, G30, G40, G12++'

Coolant Level Inspection

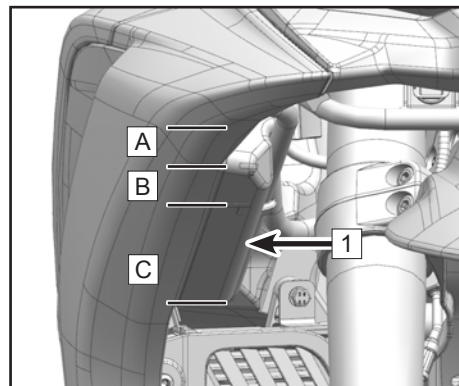
Support the vehicle upright on a level surface, or support the vehicle with frame vertically.

Inspect the coolant level in the reservoir **1**.

If the level is at area 'A': Drain out the redundant coolant until it is at area 'B'.

If it is at area 'B': The coolant is at the proper level.

If the level is at area 'C' or cannot be seen: Replenish it with the same coolant until the level is at area 'B'.



⚠ WARNING

When the vehicle is running, the coolant will have a very high temperature and stay in a state of compression.

Before the engine or cooling system has cooled down completely, do not open the radiator cover, radiator hoses, reservoir or other cooling-related parts.

In the event of scalding, wash the scalded area immediately with running water for more than 10 minutes until the pain cannot be felt and see a doctor.

Coolant Replenishment

Open the reservoir cover and replenish coolant to area B shown on the previous page.

CAUTION

If coolant needs to be replenished frequently, or the reservoir is completely dry, there is probably a leak in the system. Have the cooling system inspected by an authorized dealer.

Only recommend the original CFMOTO coolant. Contact your dealer for replacing coolant. Mixing different coolant may lead to engine damage.

TIRES AND CHAINS

This vehicle only uses tubeless tires, rims and inflating valves. Only use the recommended standard tires, rims and inflating valves. Do not mount inner tube tires on tubeless rims. Improper mounting of tires may cause air leakage. Do not mount an inner tube inside a tubeless tire.

Tire Specifications

Tire specifications	Front wheel	90/90-21 M/C 54H
	Rear wheel	150/70 R18 M/C 70H
Tire pressure	Front wheel(Single/doble person)	34.8psi (240 kPa)
	Rear wheel(Single/doble person)	34.8psi (240 kPa)
Minimum tread depth	Front wheel	0.03 in ~ 0.04 in (0.8 mm ~ 1 mm)
	Rear wheel	

Improper tire pressure or exceeding the tire load limit may affect the vehicle handling and performance, causing a loss of control.

Make periodic inspections on the tire pressure by a tire pressure gauge and adjust tire pressure accordingly.

Too-low tire pressure may cause the tire improper wear or overheating.

Proper tire pressure offers the best comfort and the longest service life.

NOTE:

Inspect the tire pressure when the tires are cold. Tire pressure is affected by the change of environment temperature and altitude. If the environment temperature and altitude have a big change during riding, tire pressure should be adjusted and inspected accordingly.

Most countries have their own regulations of minimum tread depth. Please follow local regulations. When

mounting new rims or tires, always inspect the wheel balance of the tires.

⚠ CAUTION

In order to ensure safe and stable operation, please only use the tire and tire pressure recommended. If the tire is punctured and repaired, please do not ride the vehicle over 60 mph (100 km/h) until 24 hours after, and the speed cannot exceed 80 mph (130 km/h) at any other time.

The front and rear tires should come from the same manufacturer with the same tread pattern.

New tires has a low-adhesive force and the tread without friction. Please ride the vehicle in proper ways and use different tilt angles to have the tires create friction with the ground over the entire surface. Normal friction surface will be formed after a break-in period of 125 miles (200 km). Avoid sudden braking, heavy acceleration, and high-speed sharp turns during the break-in period.

Tire Friction

When tire tread wears too severely and the tire cannot be used, the tire becomes more susceptible to punctures and failures. An accepted estimate is that 90% of all tire failures occur during the last 10% of tire service life, so it is unsafe to continue to use bald tires. In accordance with the Periodic Maintenance Chart, measure the depth of the tread with a depth gauge, and replace any tire that has been worn down to the minimum allowable tread depth.

Visually inspect the tire tread for cracks and cuts, and replace it with a new tire if it is severely damaged. For example, if partial expansion appears on the tire, it means the tire is broken.

Remove any embedded stones or other foreign particles from the tread.

CAUTION

When the environment temperature is below 14°F (-10°C), it is recommended to place the vehicle indoors if required to be stored for a long time.

Do not use side stand to park the vehicle for long time in winter. Avoid using the side stand to park the vehicle. Use a rear-wheel stand to park the vehicle and free the tires of the wheel weight.

Do not allow the tires to sink into snow or ice for a long time when parking the vehicle in winter.

When parking the vehicle for a long time outside in winter, it is recommended to put objects that can preserve the heat such as branches, paper or sand under the tires.

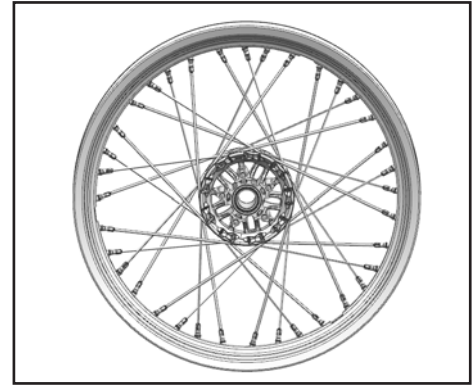
Spoke Rim Maintenance

This vehicle is equipped with a straight-pull mesh spoke rim, with good toughness, strong elasticity, impact resistance, light weight, small resistance and other advantages.

A spoke rim inspection mainly focuses on the state of the spokes and the distortion of the rim.

Tight spokes sound a clear bell voice when tapped. Loose spokes sound dull when tapped. If a spoke is loose, please contact your CFMOTO authorized dealer for maintenance. Replace spokes that are bent or damaged. Timely inspect and repair the spoke rim if it is hit during riding. Replace the whole rim if necessary. Spoke rim maintenance should be performed only by professional technicians.

A well-adjusted rim will not bounce or appear bent while rotating. Have a technician adjust the spokes if this condition appears. Replace the spoke rim if necessary. Contact your CFMOTO authorized dealer for maintenance.



Drive Chain Inspection

The looseness and lubrication of the drive chain must be inspected daily before riding and safety cautions in the Periodic Maintenance Chart must be observed to prevent excessive wear. If the chain becomes badly worn or maladjusted, it will cause the chain to be too loose or too tight.

If the chain is too tight, it will accelerate the wear to the chain, sprocket, rear sprocket and rear rim. Some parts may crack or break when the vehicle is overload.

If the chain is too loose, the chain may fall off from the sprocket or rear sprocket, which may cause locking of the rear wheel or damages to engine.

The service life of the drive chain largely depends on the maintenance.

Chain dirt inspection

Inspect periodically or inspect the chain for dirt after driving in severe conditions.

If the chain is extremely dirty, flush any large dirt particles with a soft flow of water. Clean any residual dirt and residual lubricant with a proper chain cleaner.

Spray the chain with a proper chain lubricant after the chain is dry.

WARNING

When spraying chain lubricant, do not splash the lubricant onto other parts. Lubricant on the tires will decrease the tire grip, and lubricant on the brake discs will decrease the brake performance. Clean these components with a proper cleaner if the over-spray occurs.

Chain tension inspection

Place the transmission into Neutral gear.

Park with the side stand on level ground.

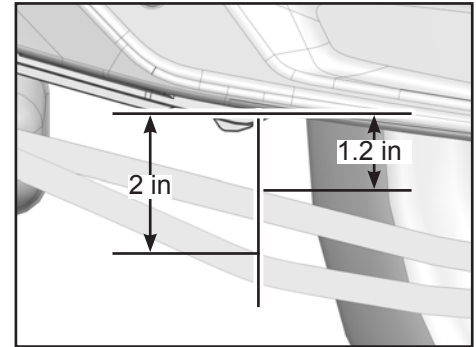
In the natural state, the distance between the chain and the lowest point of the swing arm should not exceed 1.2 in (30mm).

When pulling down the chain, the distance between the chain and the lowest point of swing arm should not exceed 2 in (50mm).

If the chain tension is out of specification, adjust it to the standard.

NOTE:

The wear of the chain is not always even, rotate the rear wheel to different positions and repeat the measurement before adjusting chain tension.



Drive Chain Tension Adjustment

Pre-work

Support the vehicle with vehicle frame

Inspect the chain tension

Mainly work

Loosen the rear wheel shaft nut [1].

Loosen the left and right locking nuts [2].

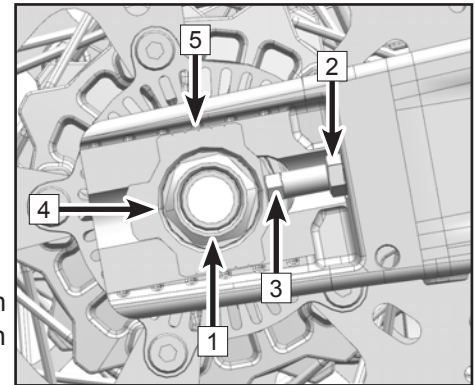
Rotate the left and right adjusting bolts [3] to adjust the chain tension, ensuring the alignment marks on the left and right chain tensioners [4] are the same with the reference mark position [5].

Ensure the left and right adjusting bolts [3] touch the chain tensioners [4].

Tighten the left and right locking nuts [2].

Tighten the rear wheel shaft nut [1] to the specified torque.

Torque: 66.3 ft-lb (90N·m) (The treads and support surface of the wheel shaft are lubricated)



Wear inspection

Shift the transmission into Neutral.

Support the vehicle with the side stand.

Pulling down the lower part of the chain with a specified counterweight **A**.

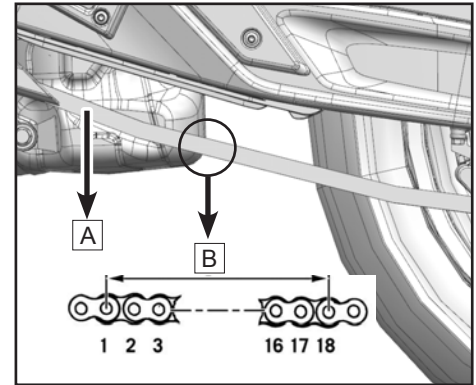
The weight of measuring device when the chain wear: 33lb (15kg)

Measure the elongated length **B** between 18 links.

NOTE: The chain wear is not always even, repeatedly measure the chain in several locations.

The maximum length on the 18 links **B: 10.7in (272 mm)**

If the measured length **B** exceeds the specified size, then replace the whole set.



⚠ DANGER

For your safety, please use the standard chain. When the chain is elongated, never cut the chain and use it again. Contact your dealer to replace with a new one.

If it is necessary to install a new chain, please replace the rear sprocket and engine sprocket at the same time. Otherwise, it will accelerate the wear of the new chain.

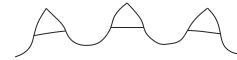
Inspect the chain, rear sprocket and engine sprocket tooth surface for any kind of wear.

If the chain, engine sprocket or rear sprocket is worn, then replace the whole set.

NOTE: Please replace the chain, rear sprocket and engine sprocket at the same time.



Standard Teeth



Worn Teeth



Damaged Teeth

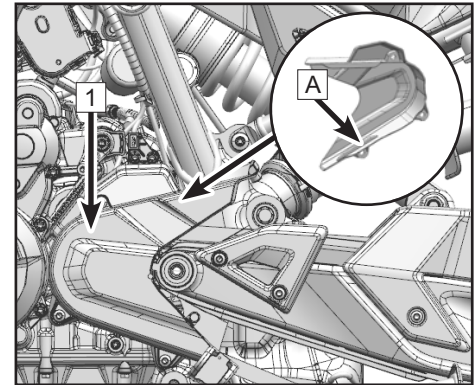
Small sprocket guard

Replace the small sprocket guard if it has severely worn at mark A.

Inspect whether the small sprocket guard 1 for firm.

If the small sprocket guard is loosened, tighten its fixed bolts timely.

Torque: 3.6 ft-lb (5N•m)



Chain guard

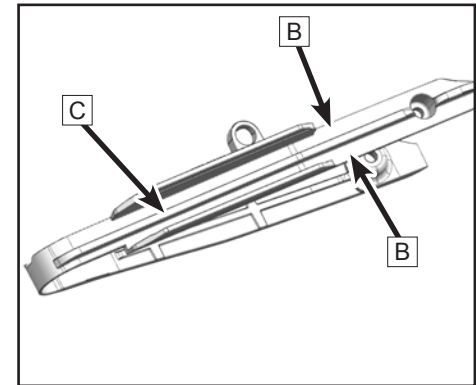
Replace the chain guard if it has clearly worn at mark B.

Replace the chain guard if it has badly worn at mark C.

Inspect whether the chain guard for firm.

If the chain guard is loosened, tighten its fixed bolts to specified torque.

Torque: 3.6 ft-lb (5N•m)



BRAKE SYSTEM

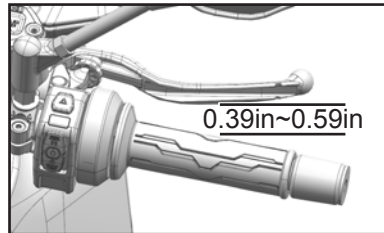
In order to maintain excellent performance of your vehicle and personal safety, please inspect and maintain the vehicle according to the Periodic Maintenance Chart. Make sure all the parts of the brake system are in a good state. If any damage occurs to the brake system, please stop riding and have your vehicle inspected and maintained by an authorized dealer.

Front Brake Lever Inspection

Park the vehicle with the side stand on level ground.
Grip lightly the front brake lever and inspect its free travel.

Free travel: 0.39 in ~ 0.59 in (10 mm ~ 15 mm)

Inspect the front brake lever for any cracks or abnormal noise.
If these problems occur, replace the front lever with a new one.

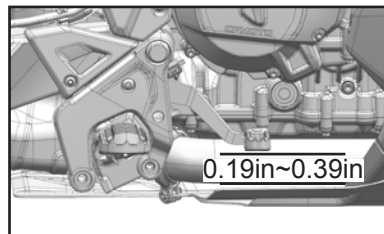


Rear Brake Pedal Inspection

Park the vehicle with the side stand on level ground.
Lightly grip the rear brake pedal and inspect its free travel.

Free travel: 0.19 in ~ 0.39 in (5 mm ~ 10 mm)

Inspect the rear brake pedal for any cracks or abnormal noise.
If these problems occur, replace the rear lever with a new one.



WARNING

If the brake levers and pedals feel soft, there may be air or lack of fluid in a brake fluid hose. If the vehicle has this dangerous condition, do not ride the vehicle. Have the brake system inspected immediately by an authorized CFMOTO dealer.

Brake Fluid Level Inspection

Support the vehicle vertically on level ground, and confirm the brake fluid reservoirs are level.

Inspect the front and rear brake reservoir fluid levels.

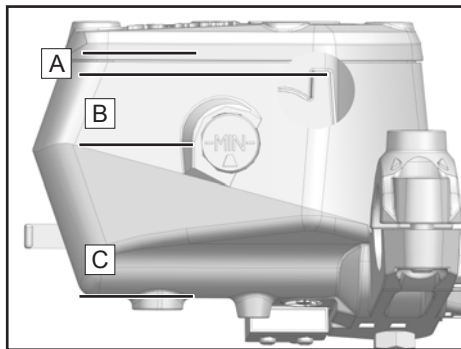
If the brake fluid level is at area 'A': Drain out the redundant fluid until it is at area 'B'.

If the brake fluid level is at area 'B': The level is proper.

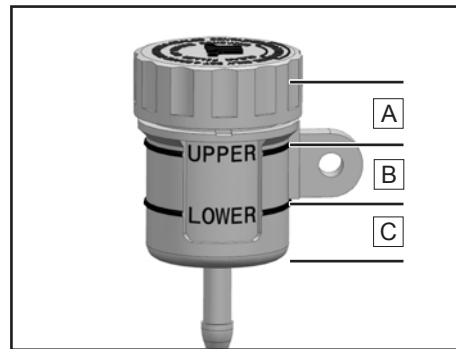
If the brake fluid level is at area 'C' or cannot be seen: Replenish it with the same brake fluid until the level is at area 'B'.

WARNING

If the brake fluid level drops to area 'C' frequently, the brake system is leaking, not sealed, or is damaged. Have the brake system inspected immediately by an authorized CFMOTO dealer.



Front brake fluid reservoir



Rear brake fluid reservoir

Brake Fluid Replenishment

WARNING

Brake fluid can irritate the skin.

Keep brake fluid out of the reach of children.

Keep brake fluid away from skin, eyes or clothing. Wear protective clothing and goggles when operating the vehicle.

If brake fluid is swallowed, see a doctor immediately.

If brake fluid touches the skin, wash the skin with plenty of clean water.

If brake fluid touches the eyes, wash eyes immediately with clean water and see a doctor immediately.

If brake fluid spills onto your clothing, change the clothing and wash it immediately.

WARNING

Brake fluid used for a long time will reduce braking efficiency. Please change the brake fluid according to the Periodical Maintenance Chart. Only use the same type DOT4 brake fluid as marked on the fluid reservoir. The mixing of different brake fluids may cause brake system damage or failure, so it is recommended to always use the original brake fluid. If you cannot make sure the original brand, please contact your dealer for brake fluid maintenance.

NOTE

When the brake fluid level goes down, it causes negative pressure inside the fluid reservoir, which may lead the reservoir gasket to sag. Remove the reservoir cap to release the pressure, adjust the reservoir gasket and then remount the gasket and cap.

Front Brake Fluid Reservoir

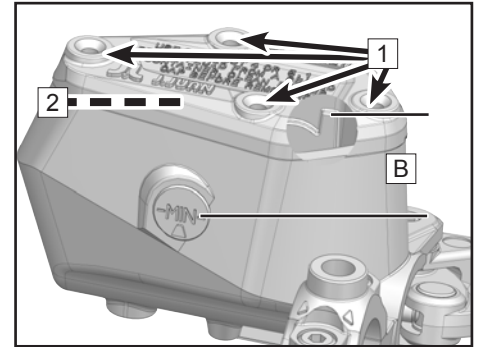
Remove bolt [1].

Remove the cover and reservoir gasket [2].

Refill brake fluid to area B.

Mount the cover and reservoir gasket in [2] place.

Mount bolts [1].

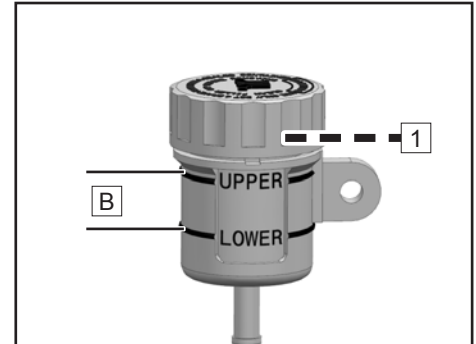


Rear Brake Fluid Reservoir

Remove the cover and reservoir gasket [1].

Refill brake fluid to area B.

Mount the cover and reservoir gasket [1] in place.

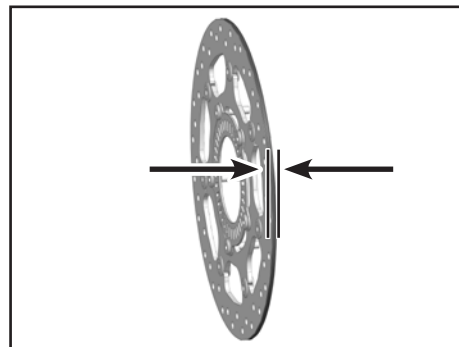


Brake Disc Inspection

Inspect brake discs periodically for any damage, out of shape, cracks or wear. Damaged brake discs may cause braking failure. Worn-out brake discs will decrease braking performance. If brake discs are damaged or exceed the wear limit, contact an authorized dealer to replace them with new ones immediately.

Inspect the thickness of front and rear brake discs in several positions.

Wear limit of front and rear brake discs: 0.16 in (4 mm)



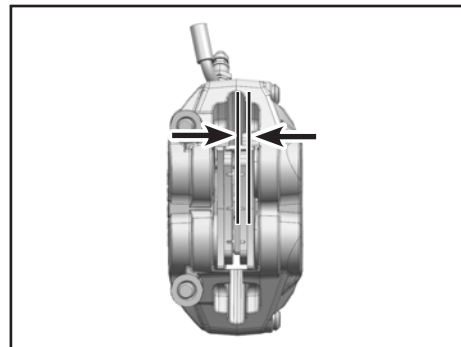
Brake Caliper Inspection

Inspect the brake calipers before riding. Inspect the minimum thickness of brake pads periodically. If the brake pads are too thin, their brackets will rub the brake discs, which will severely reduce brake effect and damage the brake pads.

Inspect the minimum thickness of brake pads on all brake calipers.

Brake pad minimum thickness: 0.05 in (1.3 mm)

If brake pad thickness is less than the minimum limit, or the brake pads are damaged, please contact an authorized dealer immediately to replace the pads in pairs.



Anti-Lock Braking System (ABS)

ABS is a safety system that prevents wheel lock when riding in a straight line or a curve without the influence of lateral forces.

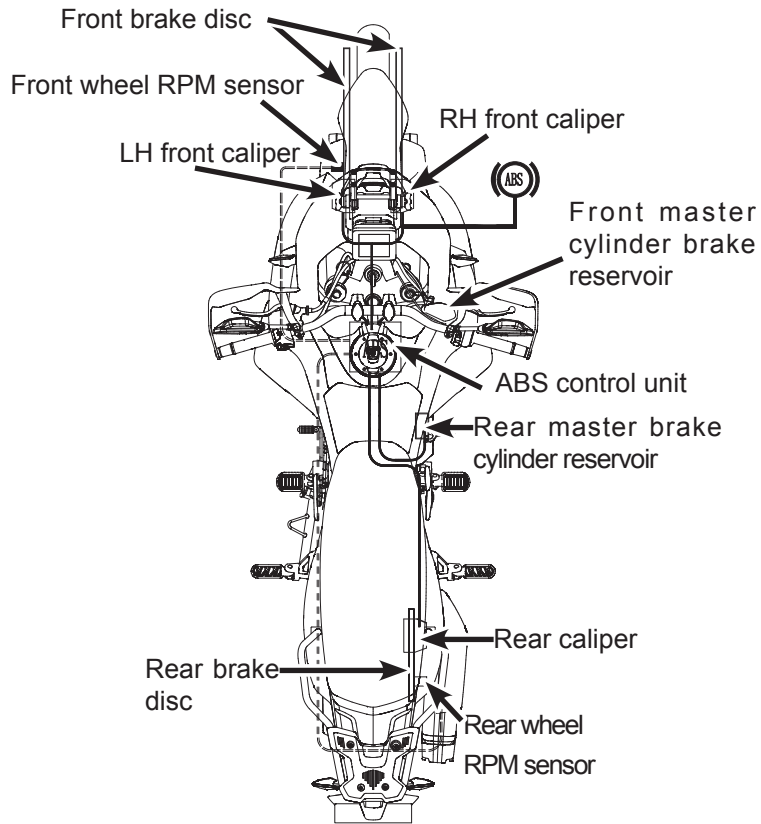
With the assistance of ABS, when riding on gritty, waterlogged, sliding or other slippery roads, the vehicle can use its full brake force without locking the wheels.

DANGER

Driving assistance can only prevent rollovers within certain physical limits. In extreme driving conditions, such as a high center of gravity from cargo, changing road conditions, steep slopes and full-speed braking without releasing the brake, motorcycle rollovers may occur.

ABS works with two independent brake circuits (front and rear brakes). When the brake electronics control unit detects a locking tendency in a wheel, ABS begins to work by adjusting the brake pressure. The adjusting process can be felt through as a slight pulsing of the front or rear brake pedals.

When turning on the ignition switch, the ABS indicator will turn on and then turn off after the vehicle begins travel. If the ABS indicator is still on after travel begins or it lights up during travel, the ABS must have some fault. If a fault occurs, the ABS will deactivate. The braking system is still working, but ABS is not available to prevent wheel lockup, so the wheels may lock during braking.



SHOCK ABSORBERS

Shock Absorber Inspection

Holding the handlebar and squeezing the front brake, compress the front fork several times to inspect it for smooth operation.

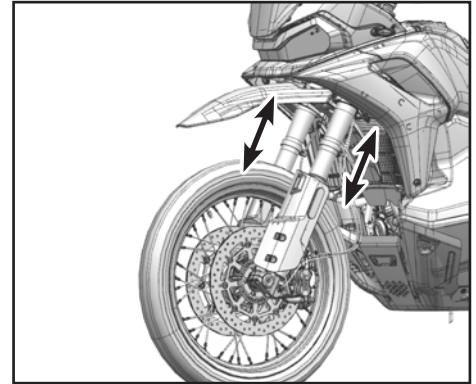
Visually inspect the front shock absorbers for oil leaks and front fork parts for scratches or friction noise.

After riding, inspect the front fork to see whether it has mud, dirt or debris, and if so, clean them, or they will lead to oil seal damage and shock absorber oil leak.

Press down the seat several times to inspect it to see whether the rear shock absorber works smoothly.

Inspect the rear shock absorber for oil leak.

If you have any doubt about the front or rear shock absorber performance, please contact your dealer.



Front Shock Absorber Adjustment

The shock absorber has been adjusted at the factory to the position best suited for most situations.

Rebound Damping Adjustment

Rebound damping: TEN

Rebound damping affects the response speed of shock absorber. The higher the rebound damping adjuster setting 1, the slower the rebound speed of the suspension. The lower the rebound damping setting, the faster the rebound speed of the suspension.

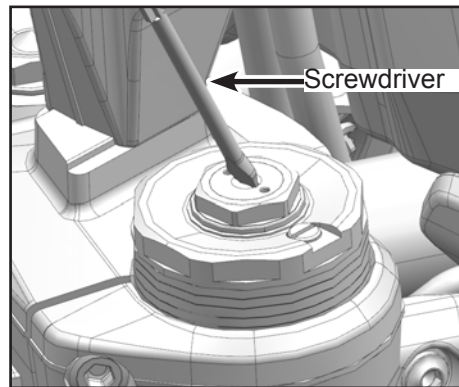
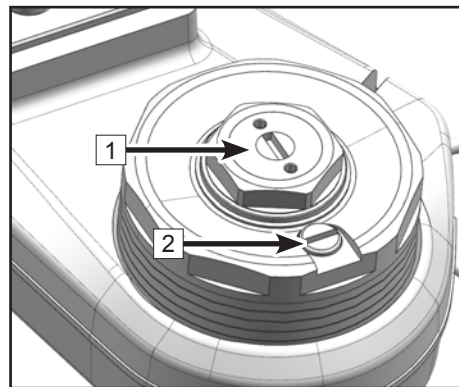
Factory setting: 10

Total available settings: 20 ± 2


Rotate the gear counterclockwise (- direction) with a screwdriver and record the number of clicks to decrease rebound damping. Rotate the gear clockwise (+ direction) with a screwdriver and record the number of clicks to increase rebound damping.

Factory reset for rebound damping

Fully rotate the adjuster back from the recorded clicks to restore the factory setting. Or rotate the adjuster counterclockwise ('-' direction) to the end, and then rotate it clockwise ('+' direction) to the 10th click.



Contact your dealer before attempting any rebound damping adjustment. Please do not adjust without having proper knowledge of the effects of such an adjustment.

There is an air-bleeding screw  on each of the left and right absorbers, which prevents accumulated pressure inside the shock absorber and affects the damping force. Contact your dealer to bleeding the air.

Compression Damping Adjustment

Compression damping: COMP

Compression damping affects the response speed of shock absorber. The higher the compression damping setting 3, the slower the compression speed of the suspension. The lower the rebound compression setting, the faster the compression speed of the suspension.

Factory setting: 10

Total available settings: 20 ± 2

Rotate the adjuster counterclockwise ('-' direction) with a screwdriver and record the number of clicks to decrease compression damping. Rotate the adjuster clockwise ('+' direction) with a screwdriver and record the number of clicks to increase compression damping.

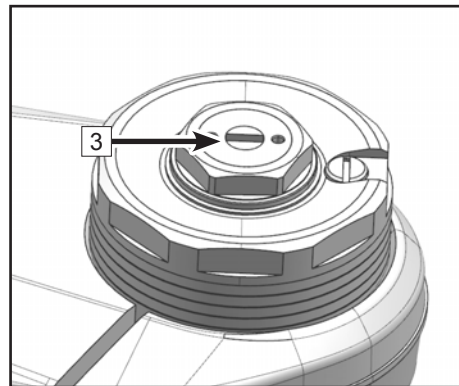
Compression damping restore factory setting

Fully rotate the adjuster back from the recorded clicks to restore the factory setting. Or rotate the adjuster counterclockwise ('-' direction) to the end, and then rotate it clockwise ('+' direction) to the 10th click.

Contact a CFMOTO dealer before attempting any damping adjustment. Please do not adjust without having proper knowledge of the effects of such an adjustment.

Absorber oil: FUCHS 5045

Volume of the absorber oil: 642±3mL



Preload Adjustment

Front shock spring preload influences the force needed for spring compression. The higher the preload, the more force will be needed to compress the spring a certain distance. The lower the preload, the less force will be needed to compress the spring the same distance. So a high preload results in a hard spring and vice versa.

Factory setting: 10

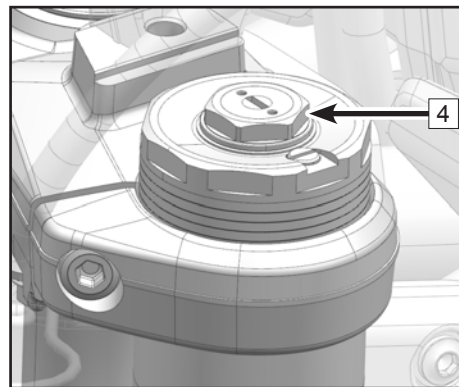
Total available settings: 30 ± 2

Turn the preload adjusting nut **4** clockwise (+ direction) to add spring preload. Turn the preload adjusting nut **4** counterclockwise (- direction) to reduce spring preload.

When adjusting the preload, ensure the preload gear of front shock absorber appear equally on both left and right. (Please record the gear)

Contact a CFMOTO dealer to perform the preload adjustment of the shock absorber. Do not attempt to adjust it by yourself.

The recommended preload adjustment tool: 22mm wrench or socket.



Rear Shock Absorber Adjustment

The shock absorber has been adjusted at the factory to the position best suited for most situations.

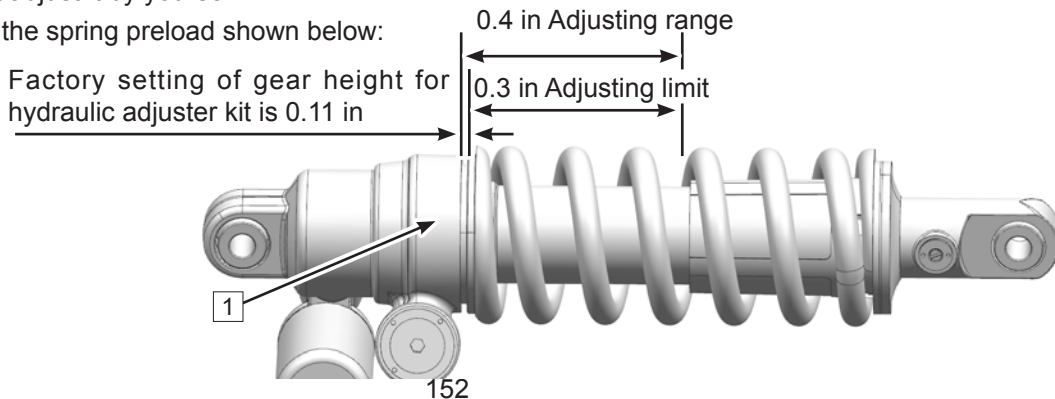
Spring Preload Adjustment

When driving on hard road surfaces or loading with the maximum load, increasing the spring preload could produce a more steady driving experience.

Adjust the hydraulic adjuster kit **1** with the hexagon key, rotate clockwise (+ direction) with hexagon key to increase the spring preload. Rotate counterclockwise with hexagon key (- direction) to decrease the spring preload.

Contact your CFMOTO authorized dealer to adjust the spring preload. Do not adjust it by yourself.

Factory setting the spring preload shown below:



Compression Damping Adjustment

Compression damping affects the response speed of shock absorber. The higher the compression damping setting, the slower the compression speed of the suspension. The lower the rebound compression setting, the faster the compression speed of the suspension.

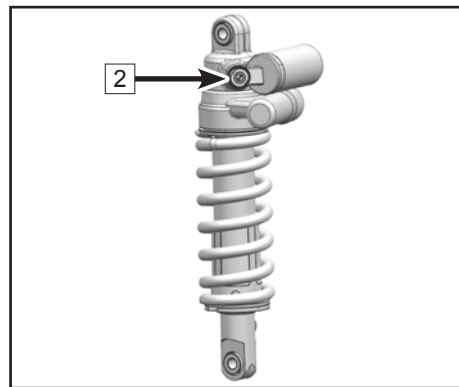
Factory setting: 8

Total available settings: 15 ± 2

Rotate the gear knob 2 counterclockwise ('-' direction) with a screwdriver and record the number of clicks to decrease compression damping. Rotate the gear knob 2 clockwise ('+' direction) with a screwdriver and record the number of clicks to increase compression damping.

Fully rotate the adjuster back from the recorded clicks to restore the factory setting. Or rotate the adjuster counterclockwise ('-' direction) to the end, and then rotate it clockwise ('+' direction) to the 8th click.

Contact your CFMOTO authorized dealer to adjust the spring preload. Do not adjust it by yourself.



Rebound Damping Adjustment

Rebound damping affects the response speed of shock absorber. The higher the rebound damping adjuster setting **3**, the slower the rebound speed of the suspension. The lower the rebound damping setting, the faster the rebound speed of the suspension.

Factory setting: 12

Total available settings: 22 ± 2

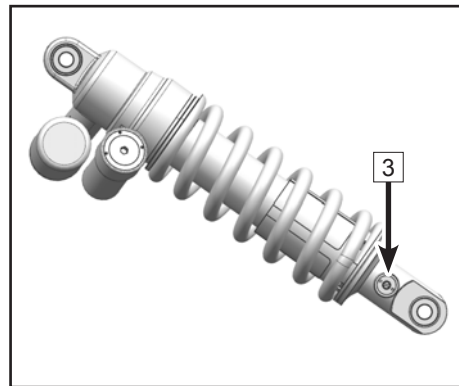
Adjust the angle as shown in the right picture.

Rotate the adjuster clockwise (+ direction) with a screwdriver and record the number of clicks to increase rebound damping. Rotate the adjuster counterclockwise (- direction) with a screwdriver and record the number of clicks to decrease rebound damping.

Rebound Damping Restore Factory Setting

Fully rotate the adjuster back from the recorded clicks to restore the factory setting. Or rotate the adjuster counterclockwise (- direction) to the end, and then rotate it clockwise (+ direction) to the 12th click.

Contact a CFMOTO dealer before attempting any rebound damping adjustment. Please do not adjust without having proper knowledge of the effects of such an adjustment.



⚠ DANGER

This part contains high-pressure nitrogen. Improper operation may cause an explosion. Read the relevant instructions. Don't throw it into fire, make holes in it, or open it.

Shock absorber oil: 6#

Volume of the shock absorber: $202 \pm 2 \text{mL}$

Suspension Adjustment Chart

Condition \ Absorber	Main items			Auxiliary items		
	Rear shock absorber			Front shock absorber		
	Spring preload	Compression damping	Rebound damping	Spring preload	Compression damping	Rebound damping
One person (75kg)	3 circles	8 ± 2	12 ± 2	4 circles	10 ± 2	10 ± 2
One person (75kg)+Load (three boxes load)	5 circles	10 ± 2	15 ± 2	4 circles	10 ± 2	10 ± 2
One person (75kg)+One person (75kg)	6 circles	12 ± 2	17 ± 2	5 circles	13 ± 2	13 ± 2
One person (75kg)+ One person (75kg)+Load (three boxes load)	8 circles	14 ± 2	19 ± 2	6 circles	15 ± 2	15 ± 2
One person (75kg) + Contious rough road	3 circles	12 ± 2	15 ± 2	4circles	10 ± 2	13 ± 2
*Recommended for general road and light off-road	The above are all counterclockwise to the limit position, and then clockwise to increase the number of preload turns or damping segments. This is the recommended value, and users need to adjust it according to personal					

ELECTRICAL SYSTEM AND LIGHTS

Battery

The battery in this vehicle is a lead-acid battery. Therefore, it is unnecessary to inspect the amount of battery electrolyte or add distilled water. To ensure optimum service life of the battery, keep the battery charged properly to ensure the battery has reserve capacity available at the starter motor. When the motorcycle is used frequently, the battery charge is maintained by the motorcycle charging system. If the motorcycle is used only occasionally, or is used only for short rides, the battery can remain discharged. Batteries can also self-discharge from infrequent use. The rate of discharge varies by battery type and ambient temperature. When the environment temperature rises, for example, the rate of discharge could increase by a factor of 1 for every 15°C temperature rise.

In cold weather, an improperly charged battery may have frozen electrolyte, which may lead to battery cracking or warped electrode plates, which appear as a bulge on the battery sides. Proper, full charging of the battery improves its freeze-proof capability.

CAUTION

To avoid battery damage and power loss, do not idle the vehicle for more than 30 minutes. Otherwise the vehicle cannot be started.

Battery sulfation

A common battery failure is sulfation. When the battery is short of power for a long time, electrolyte can be sulfated. Sulfation is an abnormal product produced by chemical reactions in the battery. If battery sulfation occurs, battery discharging can cause the battery plate permanent damage, and cause the battery to be impossible to be charged. When such a failure occurs, the battery must be replaced with a new one.

Battery maintenance

Always keep the battery fully charged, or the battery may be damaged.

If the vehicle is driven infrequently, inspect the battery voltage weekly with a voltmeter. If it drops below 12.8 volts, the battery should be charged (contact your dealer for an inspection). If you will not use the vehicle for longer than 2 weeks, the battery must be charged with a charger. Do not use an automotive quick-charger, which may overheat the battery and damage it.

Clean the battery case with a soft brush dipped in a mixture of baking soda and water.

Use a wire brush to remove corrosion on positive and negative lug plates and positive and negative anodes.

Lead-acid batteries require special chargers. Using traditional battery chargers will reduce battery life.

If the vehicle is not used for one month or longer, please remove the battery, and place it in a dry, cool place. Fully charge the battery before remounting it.

The battery must be removed from the vehicle when it is being charged.

Battery charger

Contact your dealer for battery charger specifications.

Battery charging

Remove the battery from the vehicle.

Connect the charger cables, and ensure that the charging current is 1/10 A of the battery capacity. For example, if battery capacity is 10 Ah, the charging current should be 1 ampere.

Ensure that the battery is fully charged before mounting it in the vehicle.

 **WARNING**

Do not remove the battery's sealing strip, or the battery will be damaged. Do not mount an ordinary battery in this motorcycle, or the electrical system will not work properly.

When removing the battery, firstly disassemble the negative pole and then the positive pole. During mounting, the connection sequence of positive and negative poles is opposite to that of disassembly.

NOTE: When charging a lead-acid battery, always follow the instructions in this manual.

Battery Removal

Place the vehicle on flat ground and park it.

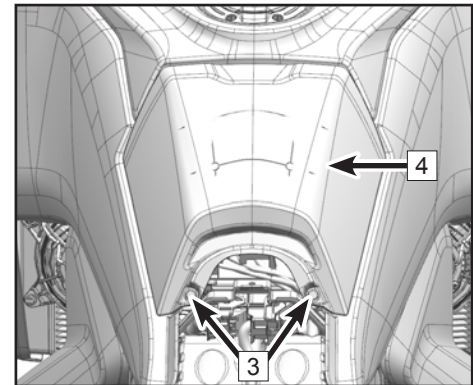
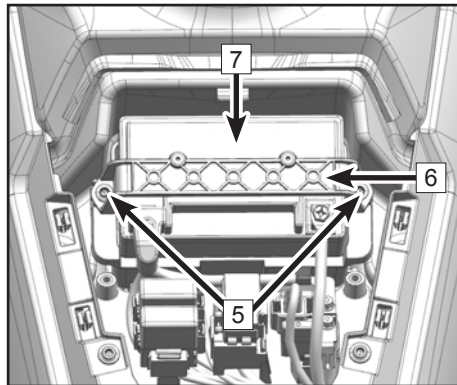
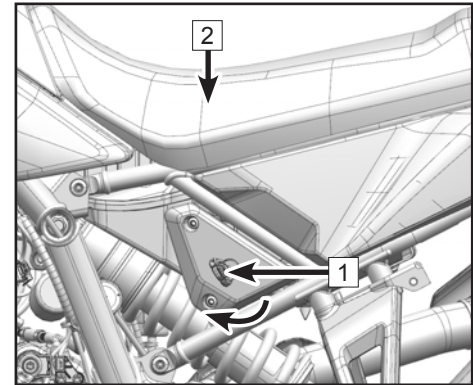
Completely turn off the engine and power supply of the vehicle.

Insert the key **1** into the cushion lock, and rotate the key clockwise to release cushion.

Remove the cushion **2** and plastic buckle **3**, grab the tail part of the upper cover **4** of the battery box, towards up to release both sides of the buckles, and then towards back to remove the upper cover from the battery.

Remove the black negative pole wire (-), then remove the red positive pole wire (+).

Remove bolts **5**, remove the battery plate **6**, then remove the battery **7**.



Battery Mounting

Park the vehicle on flat ground and park it.

Ensure that the vehicle's key is in the closed position.

Put in the battery.

Mount battery plate, and fixed bolt.

Mount the red positive pole wire (+).

Mount the black negative wire (-).

Mount the upper cover plate of the battery box.

Remount the cushion.

WARNING

Avoid direct touching with the skin, eyes and clothing. Always protect eyes when working near the battery. Keep the battery out of reach of children. Keep the battery away from sparks, open flames, cigarettes, or other ignition points. When using or charging batteries in a confined space, ventilate the area.

Battery acid detoxification treatment:

External: Rinse the touched area with clean water.

Internal: See a doctor immediately.

Eyes: Rinse the eyes with clean water for 15 minutes and see a doctor immediately.

CAUTION

Improper disassembly and assembly of positive and negative wires may lead to a short circuit between the battery and the vehicle body.

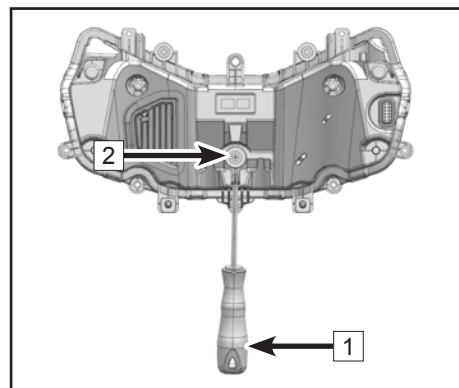
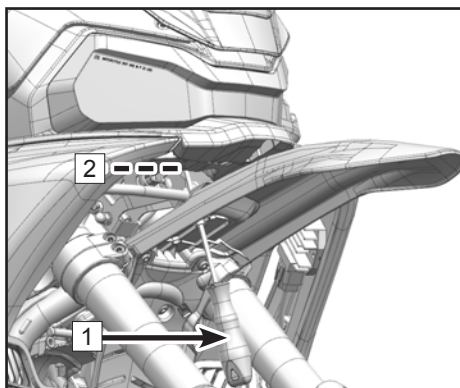
Lights

Headlight beam is adjustable. Use a screwdriver **1** to rotate the light adjusting knob **2**.

⚠ CAUTION

Adjustment of high / low beams should be in accordance with local regulations. The standard is based on the light emitted when front and rear wheels touch down the ground and the rider sits on the vehicle.

All lights are LED lights. Have your dealer replace the entire assembly if an LED is damaged or has failed.

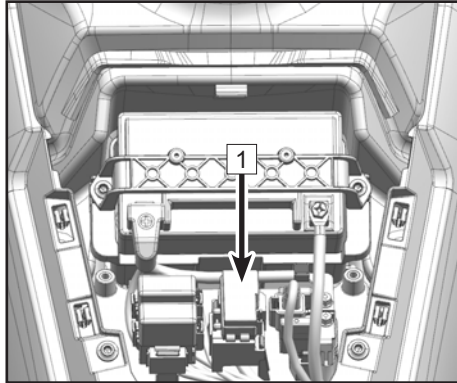


Fuses

Fuse box **1** is under the upper cover plate of the battery box, it is visible after removing the seat. (Refer to the battery removal chapter to remove) If a fuse is blown, inspect the electrical system for damage and replace the fuse with the new one.

⚠ WARNING

Do not use any wire to substitute for the standard fuse. Replace a blown fuse with a new one of the same ampere. Ampere value is shown on fuse.



SIDE BOX AND TAIL BOX (If Equipped)

Reference the requirements for side box and tail box loading and speed when you want to add an authorized side box and tail box on your vehicle.

Correct Loading

WARNING

Overloading or uneven loading affect vehicle stability. Follow all load instructions. Do not exceed the allowed gross weight.

1. Adjustment of spring preload and shock absorbers should be matched with gross weight.
2. The volume for both the left and right side boxes should be even.
3. The weight of the left and right sides should be well-distributed.
4. Heavy luggage should be placed at the bottom or inside of the side box.
5. Follow the rules about maximum loading and the highest speed.

Side box payload	Tail box payload
Maximum: 18 lb (8 kg)	Maximum: 11 lb (5 kg)

Considerations for High Speeds

When riding at a high speed, vehicle performance will be affected by conditions such as:

1. Misadjusted spring and shock absorber system
2. Uneven distribution of load
3. Loose clothes
4. Low tire pressure
5. Poor tire tread



⚠️ WARNING

1. Before riding, check side box bracket and tail box bracket are installed in place, quick lock system is clasped, every case cover is locked!
2. It is not allowed to stand, squat, seat or kneel on side boxes!
3. It is recommended that the load value of each side should be no more than 8kg. Make sure both sides carry similar weight. It is recommended that the load value of tail box should be no more than 5kg. Overload or unbalanced load will affect safety!
4. When riding the vehicle equipped with side boxes and tail box, the maximum speed should be no more than 120km/h on general pavement road. Please slow down and drive carefully on non-paved road!
5. Do not replace the left and right boxes for installation. It is only allowed to open the side box from the back. If the side box is not locked at high speed, it is easy to open and lead to fatal consequences!
6. After installing aluminum alloy box, please pay attention to the change of vehicle width and adjust the safe speed!
7. Please adjust the tire pressure appropriately according to the load of the aluminum alloy box [about an increase of 0.1 ~ 0.2bar]!
8. It is not allowed to spill acid and alkaline liquid on any part of the box!
9. Please remember the key number of the aluminum alloy box. If you lose the key accidentally, please contact the dealer to equip you with a new key for free!
10. If you encounter any problems during use, please don't hesitate to contact the dealer!

CATALYTIC CONVERTER

This motorcycle is equipped with a catalytic converter in the exhaust system. Platinum and rhodium contained inside the converter reacts with the engine exhaust of carbon monoxide and hydrocarbons to convert them into carbon dioxide and water, resulting in cleaner exhaust gases discharged into the atmosphere.

For proper operation of the catalytic converter, the following cautions must be followed:

Only use unleaded gasoline. Never use leaded gasoline, which significantly reduces the service life of the catalytic converter.

Do not coast the vehicle with the engine and transmission engaged, and the ignition switch and/or engine stop switch off. Do not attempt to start the engine for a longer time when the battery is low in power. When the gear is not in Neutral, do not drag the vehicle or let the piston move. Under these improper conditions, extra unburned air/fuel mixture can flow into exhaust system, accelerating the reaction with the converter which will damage the heated engine, or reduce the converter performance when the engine is cooled off.

CAUTION

Only use unleaded gasoline. Even only a little lead can damage the precious metals inside the catalytic converter, causing catalytic converter failure. Do not add anti-rust oil or engine oil into the muffler, which may result in catalytic converter failure.

EVAPORATIVE EMISSION CONTROL SYSTEM

(If Equipped)

Please contact a CFMOTO dealer if the EVAP System has failed. Do not modify the System, or the System will not meet requirements for environmental regulations. After disassembly and repair, tube connections should be well connected without air leakage, blocking, and tubes should be without being squeezed, broken or damaged, etc. Fuel vapors from the fuel tank are drawn into a carbon tank through an absorption tube. The fuel vapors are absorbed by active carbon in carbon tank when the engine is stopped. When the engine is running, fuel vapors absorbed in the carbon tank will flow into the engine combustion chamber and get burned, avoiding environmental pollution by preventing fuel vapors being discharged directly into the air. Meanwhile, air pressure inside the fuel tank can be balanced by the absorption tube. If inner pressure of fuel tank is lower than the outside, it can be balanced through the air tube of the carbon tank and absorption tube. In this context, all tubes should always remain clear without being blocked or squeezed, etc., and the anti-toppling valve should be mounted correctly. Otherwise the fuel pump could be damaged, the fuel tank could deform or break, or other parts may be damaged.

CLEANING AND STORAGE

General Precautions

Keeping your motorcycle clean and in the best performance will extend the vehicle service life. A clean motorcycle it's more easier to spot potential faults.

Pay special attention, the anti-freeze sea water and salt spill on the road will accelerate the corrosion. If riding in areas where near the ocean or on roads treated as described above, clean the motorcycle after your ride with cold water completely.

Cleanness

1. Wash the motorcycle completely with low-pressure hose. Rinse with cold water to remove any loose dirt.
2. Using sponge or soft colth with mild degreaser to remove the dirt if necessary.
 - Be cautious when washing the windshield, headlight lens, panel and other plastic parts as they can be easily scratched.
 - Prevent the air filter, muffler and other electrical parts from water.
3. Flush the motorcycle with plenty of clean water, dry it off with a soft cloth.
4. Lubricate all movable parts after dry off your motorcycle.
 - Avoid spraying any lubrication oil on the break or tires. If the brake discs, brake pads, brake drum and brake shoe get polluted, its performance will greatly reduce and may lead to an accident.
5. Lubricate the drive drain after rinse and dry off the motorcycle.
6. Wax to prevent corrsion.

- Avoid using products that contain strong detergents or chemical solvents, which may damage the metallic parts, paints and plastic parts.
- Do not wax on the tires and break.
- If your motorcycle is equipped with a matt paints parts do not wax on it.

Washing Vehicle Caution

Follow the guideline when washing the vehicle:

- Do not use high-pressure spray:

High-pressure sprayers may damage the movable components and electrical parts beyond fixed.

The water from the inlet port may be sucked into the throttle body and/or enter the air filter.

- Do not flush the muffler with water:

If water enters the muffler may lead to start failure and rusting.

- Dry off the break:

Water will reduce the braking performance. After washing, apply the break several times at low speed helps to dry off.

- Do not flush under the seat:

If water enters the storage under the seat, it will damage the file and other objects.

- Do not flush the air filter:

If water enters the air filter, the engine may starts failure.

- Do not flush the headlight around:

The inside of the headlight lens may rise a fog temporarily after washing the vehicle or riding in the rain.

This will not affect the use of the headlight.

However, if there is plenty of water or ice inside of the lens, contact an authorized CFMOTO after-sales center to service it.

- Do not wax and polish on the surface of the mett paint:

Mix a bucket of mild detergent with plenty of water. Use a soft cloth or sponge to wash your motorcycle. Dry it off with a soft cloth.

Polishing the Surface

After washing your motorcycle, polish the painted metal and plastic surfaces with a specialized motorcycle or automobile wax. Wax should be applied every three months or as required, to avoid the surface from having satin lines or being lackluster. Always use non-abrasive wax and apply them according to the instructions.

Windshield and Other Plastic Parts

After washing, use a soft cloth to gently dry off plastic parts. When the motorcycle is dry, use specified cleaning or glazing procedures for windshield glass, light shades and other uncoated plastic parts.

CAUTION

Plastic parts may deteriorate and break if they are exposed to chemical substances or household cleaning products such as gasoline, brake fluid, window cleaners, thread locker, or other chemicals. If a plastic part is exposed to any chemical substance, wash it off with water immediately, and then inspect for damage. Avoid using abrasive pads or brushes to clean surfaces of plastic parts, as they will damage their luster.

Chrome and Aluminum(If Equipped)

Chromium alloy and uncoated aluminum parts exposed to the air can oxidize, becoming dull and lackluster. These parts should be cleaned with a detergent and polished with a spray polish. Painted and unpainted aluminum wheels should be cleaned with special detergent.

Leather, Vinyl and Rubber Products(If Equipped)

If your motorcycle has leather accessories, use a special leather cleaner/treatment to clean. Washing leather parts with detergent and water will damage them, shortening their life. Vinyl parts should be

cleaned separately.

Tires and other rubber components should be treated with a rubber protective agent to prolong their life.

 DANGER

Special care must be taken when treating tires. Ensure that the rubber protective agent applied will not affect the tire tread function. Incorrect treatment applications may decrease the traction between the tire and ground, possibly causing a loss of control.

Preparation for Storage

Clean the entire vehicle thoroughly.

Run the engine for about 5 minutes, stop the engine, then empty out all engine oil.


 DANGER

Motorcycle oil is a toxic substance. Dispose of used oil properly. Keep the used oil out of reach of children. If skin contacts the oil it should be washed off immediately.

Fill with fresh engine oil.

Fill with fuel and the appropriate fuel additive.

 DANGER

Gasoline is extremely flammable and explosive under certain conditions. Turn the ignition key to “” position before fueling. Do not smoke. Make sure the area is well ventilated and free of any source of flame or sparks. This includes any appliance with a pilot light.

Gasoline is a toxic substance. Dispose of gasoline properly. Keep it out of reach of children. If skin contacts gasoline, it should be treated immediately.

Reduce tire pressure by at least 20% during storage period.

Raise wheels off the ground using wood boards or other material to keep moisture away from the vehicle.

Spray a corrosion inhibitor on all unpainted metal surfaces to prevent rusting. Avoid spraying on rubber parts or on the brakes.

Lubricate the drive chain and all cables.

Remove the battery. Store it out of the sun and in a cool, dry place. Ensure that the battery is fully charged according to the Periodic Maintenance Chart.

Wrap plastic bags over the muffler exhaust pipe to prevent moisture from entering.

Put a cover over the motorcycle to keep dust and dirt from collecting on it.

Preparation After Storage

Remove the plastic bags from the muffler.

Charge the battery if necessary, and then install it in the motorcycle.

Check all the points listed in Pre-Ride Inspection section.

Lubricate any pivot points as necessary (handlebar levers, foot pedal, etc).

Test ride at a slow speed to verify the vehicle functions normally.

Transporting Your Vehicle

If your vehicle needs to be transported, it should be carried on a motorcycle trailer, a flatbed truck, or trailer that has a loading ramp or lifting platform, and it should be properly secured with motorcycle tie-down straps. Never try to tow your vehicle with a wheel or wheels on the ground.

COMMON PROBLEMS AND CAUSES

Problem	Component	Cause	Solution
Engine fails to start	Fuel system	No fuel in fuel tank	Refuel
		Pump blockage or damage: poor fuel quality	Clean or replace
	Ignition system	Spark plug failure: excessive carbon deposits, too long time usage	Inspect or replace
		Spark plug cap failure: Poor contact or burning	Inspect or replace
		Ignition coil failure: poor contact or burning	Inspect or replace
		ECU failure: Poor contact or burning	Inspect or replace
		Trigger coil failure: poor contact or burning	Inspect or replace
		Stator failure: poor contact or burning	Inspect or replace
		Wiring failure: poor contact	Inspect or adjust
	Cylinder compression	Starting mechanism failure: worn or damaged	Inspect or replace
		Intake and exhaust valves, valve seats faulty: too much fuel colloidal or too long time use	Inspect or replace
		Cylinder, piston, piston ring failure: too much fuel colloidal or wear	Inspect or replace
		Intake manifold leakage: too long time use	Inspect or replace
		Valve timing faulty	Inspect or replace

Insufficient power	Valve and piston	Intake and exhaust valves, piston excessive carbon deposits: poor fuel quality and poor oil quality	Repair or replace
	Clutch	Clutch slips: poor oil quality, too long time use and overloaded	Adjust or replace
	Cylinder and ring	Cylinder, piston rings wear: poor oil quality and too long time use	Replace oil
	Brake	Incomplete separation of brake: the brake is too tight	Adjust
	Main chain	The drive chain is too tight: improper adjustment	Adjust
	Engine	Engine overheats: too rich or too lean mixture, poor oil, fuel quality, shelter, etc	Adjust or replace
Insufficient power	Spark plug	Improper spark plug clearance	Adjust or replace
	Intake pipe	Air leakage of intake pipe: too long time use	Adjust or replace
	Cylinder head	Air leakage for cylinder head or valves	Inspect or replace
	Electric system	Electrical system failure	Inspect or repair
	Air filter	Clogged air filter	Clean or adjust
Headlights and tail lights do not work	Cable	Poor connections	Adjust
	Left and right switches	Switch poor contact or damage	Adjust or replace
	Headlight	LED, circuit board failure or damage	Replace
	Regulator	Inspection. Loose connection or burnt	Inspect or replace
	Magneto	Inspect the coil: poor connection or burnt	Inspect or replace

Horn does not work	Battery	No electricity	Charge or replace
	Left switch	Horn button fault or damage	Adjust or replace
	Cable	Poor connection	Adjust or repair
	Horn	Horn damage	Adjust or replace

The items listed are common problems on a motorcycle. If your motorcycle has certain problems (especially in the electronic fuel injection system, fuel evaporation system, or alarms system), please contact a CFMOTO authorized dealer to check and repair the vehicle.

 DANGER

Do not try to fix problems without professional help. Otherwise it could cause an accident. You become responsible for accidents related to any repairs or maintenance not performed by a CFMOTO dealer.

GENERAL TORQUE CHART

Type	Torque (N•m)	Type	Torque (N•m)
M5 bolt and nut	5±1	M5 screw	4±1
M6 bolt and nut	10±1	M6 screw	9±1
M8 bolt and nut	20~30	M6 flange bolt and nut	12±1
M10 bolt and nut	30~40	M8 flange bolt and nut	20~30
M12 bolt and nut	40~50	M10 flange bolt and nut	30~40

CRUCIAL TORQUE CHART

Type	Thread	Number	Tightening Torque (N•m)	Thread-locker
Side stand switch cable bracket and frame fixed bolt	M5×12	2	5N•m(±10%)	Yes
Upper part of the engine and frame connecting bolt	M10×45	4	48N•m(±10%)	Yes
LH and RH mounting seat of the front panel bracket and frame fixed bolt	M8×16	4	25N•m(±10%)	Yes
Front panel bracket and LH and RH bracket bolt of the front panel bracket	M8×20	2	25N•m(±10%)	Yes
Lower panel mounting seat, front mounting bracket assy of the guard and engine fixed bolt	M6×12	4	6N•m(±10%)	Yes
Lower panel and front and rear bracket fixed bolt	M6×16	4	6N•m(±10%)	Yes
ABS bracket and frame fixed bolt	M6×22	3	10N•m(±10%)	Yes
Rear RPM sensor and rear brake caliper fixed bolt	M6×16	1	7N•m(±10%)	Yes

Rear brake main cylinder and footrest bracket fixed bolt	M6×22	2	10N•m(±10%)	Yes
Rear shock absorber fender and sub-frame fixed bolt	Stepped bolt M5	2	5N•m(±10%)	Yes
RH footrest bracket and frame engine connecting bolt	M10×45	1	46N•m(±10%)	Yes
RH footrest bracket and engine connecting bolt	M8×25	1	25N•m(±10%)	Yes
Brake pedal lever and RH footrest bracket bolt	M10×30	1	46N•m(±10%)	Yes
	M10×45	1		
Brake pedal lever bracket and frame rear swing arm shaft connecting bolt	M12×60	1	110N•m(±10%)	Yes
Gearshift rod bracket and frame rear swing arm shaft fixed bolt	M12×60	1	110N•m(±10%)	Yes
LH footrest deco plate and gearshift rod bracket fixed bolt	Stepped bolt M5	2	6N•m(±10%)	Yes
RH footrest deco guard and brake pedal lever bracket fixed bolt	Stepped bolt M5	2	6N•m(±10%)	Yes
Engine suspension and frame connecting bolt	M8×50	2	28N•m(±10%)	Yes
Engine suspension and engine connecting bolt	M10×60	1	45N•m(±10%)	Yes
Upper LH front footrest bracket and frame engine connecting bolt	M10×30	1	46N•m(±10%)	Yes

Fixed output axle nut	Small sprocket output axle fixed nut	1	120N•m(±10%)	Yes
Rear shock absorber and frame bolt	M12×60	1	82N•m(±10%)	Yes
Rear shock absorber bolt	M12×60	1	82N•m(±10%)	Yes
Battery box and frame fixed bolt	M5	3	5N•m(±10%)	Yes
Clamp fixed torque	Steel band clamp 25-40	1	5N•m(±10%)	Yes
Radiator and frame connecting bolt	M6×25	2	5N•m(±10%)	Yes
	M6×10	2		
Steering column fixed bolt	Non-standard	1	21N•m(±10%)	Yes
Upper triple clamp bolt for both side	M8×30	2	25N•m(±10%)	Yes
Upper triple clamp and LH&RH cable clip bolt	M6×20	2	5N•m(±10%)	Yes
Front brake caliper screw	Non-standard	2	25N•m(±10%)	Yes
Steering damper and lower triple clamp fixed bolt	M8×25	1	25N•m(±10%)	Yes
Steering damper and frame fixed bolt	M8×25	2	25N•m(±10%)	Yes
Ground cable bolt	M6×12	1	5N•m(±10%)	Yes
Relay fixed bolt	M6×16	2	5N•m(±10%)	Yes
Rear cushion lock and sub-frame connecting fixed bolt	M6×22	2	10N•m(±10%)	Yes
Positive&negative wires and battery fixed bolt	M6×12	2	5N•m(±10%)	Yes
Battery bracket fixed bolt	M6×14	5	5N•m(±10%)	Yes

Battery press cover fixed bolt	M6×14	2	5N•m(±10%)	Yes
ECU fixed plate and ECU fixed bolt	M6×25	4	10N•m(±10%)	Yes
Sub-frame and frame connecting bolt	M10×22	2	50N•m(±10%)	Yes
	M10v30	2		
Rear wheel shaft nut fixed torque	M25×1.5-6H	1	90N•m(±10%)	No
Chain fairlead and rear swing arm fixed bolt	M6×20	1	6N•m(±10%)	Yes
	M6×40	1		
Fuel tank and frame connecting bolt	M8×40	4	15N•m(±10%)	Yes
Fuel tank cover and fuel tank fixed bolt	M5×30	6	3N•m(±10%)	Yes
Front wheel shaft nut	Non-standard	1	45N•m(±10%)	No
Front shock absorber lower part bolt	M8×25	4	25N•m(±10%)	Yes
Front brake caliper fixed bolt	M10×1.25×60	4	45N•m(±10%)	Yes
Front brake oil hose and front brake pump fixed bolt(at the handlebar position)	Non-standard	1	27N•m(±10%)	No
Front wheel RPM sensor fixed bolt	M6×16	1	7N•m(±10%)	Yes
Shock absorber panel fixed bolt	M6×14	6	5N•m(±10%)	Yes
Rear handrest LH&RH front mounting seat and sub-frame fixed bolt	M8×20	2	25N•m(±10%)	Yes
deflector fixing bolt	M5×14	6	3N•m(±10%)	No

Rear handrest deco cover fixed bolt	Stepped bolt M5	4	6N•m(±10%)	Yes
Rear handrest and sub-frame fixed bolt	M8×30	4	25N•m(±10%)	Yes
Reservoir and frame connecting bolt	M6-6h	1	5N•m(±10%)	Yes
Muffler and frame fixed bolt	M8×52	1	15N•m(±10%)	Yes
Muffler and muffler connecting clamp		1	8N•m(±10%)	Yes
Chain guard and vehicle body connecting bolt	Stepped bolt M5	3	5N•m(±10%)	Yes
Sprocket guard and vehicle body connecting bolt	Stepped bolt M5	3	5N•m(±10%)	Yes
Gearshift lever connecting part and transmission box swing arm fixed bolt	M6×16	1	10N•m(±10%)	Yes
Gearshift lever pedal assy and gearshift lever bracket fixed screw	M8×35	1	25N•m(±10%)	Yes
Brake pedal and brake pedal bracket screw	M8×35	1	25N•m(±10%)	Yes
Gearshift connecting assy and gearshift pedal assy fixed screw	M6×16	1	10N•m(±10%)	Yes
Gearshift lever bracket and front left footrest bracket fixed bolt	M10×85	1	"45N•m(±10%) 25N•m(±10%)"	Yes
	M8×45	1		
Front exhaust pipe nut	Muffler mounting nut	4	Inside nut 20N•m outside nut 12N•m(±10%)	Yes
Muffler center barrel assy fixed bolt	M8×30	3	25N•m(±10%)	Yes

6D sensor mounting plate fixed bolt	M6×22	3	10N•m(±10%)	Yes
Side stand off switch bolt	M6×16	1	6N•m(±10%)	Yes
Side stand fixed bolt	M10×1.25-6g	1	40N•m(±10%)	Yes
6D sensor fixed bolt	M6×16	2	5N•m(±10%)	Yes
Oxygen sensor (CF800-11)	M18×1.5-6e	2	50N•m(±10%)	No
Oxygen sensor (CF800-11H)	M12×1.25-6e	3	18N•m(±10%)	No
Rear brake clip fixed bolt	M5×14	3	3N•m(±10%)	Yes
Chain guard fixed bolt	M5	2	3N•m(±10%)	Yes
Rear fender fixed bolt	M6×16	4	5N•m(±10%)	Yes
Chain guide bracket fixed bolt	M6×16	2	10N•m(±10%)	Yes
Canister bracket and frame fixed bolt	M6×18	2	6N•m(±10%)	Yes
BANJO screw	/	3	25N•m(±10%)	No
Rear cushion support bolt	M8×40	2	25N•m(±10%)	Yes
Rear footrest assy fixed bolt (LH&RH)	M8×20	4	25N•m(±10%)	Yes
Air filter and LH&RH sub-frame connecting bolt	M6×12	2	5N•m(±10%)	Yes
Sub-frame connecting column fixed bolt (sub-frame mounting pipe)	M8×20	2	25N•m(±10%)	Yes
Front shock absorber and lower triple clamp fixed torque	M8×30	4	"Upper 20N•m(±10%) lower 16N•m(±10%)"	Yes

Front fender and upper triple clamp fixed bolt	M6×14	4	5N•m(±10%)	Yes
Front brake oil pipe bracket and lower triple clamp back part of fixed bolt	M5×16	1	10N•m(±10%)	Yes
Handlebar support seat fixed bolt	M10×60	2	46N•m(±10%)	Yes
Handlebar cover bolt	M8×25	4	21N•m(±10%)	Yes
Regulator and inner guard fixed bolt	M6×25	2	6N•m(±10%)	Yes
Inner plate of the instrument bracket and headlight bracket bolt	M6×12	3	5N•m(±10%)	Yes
Windshield glass and bracket mounting bolt	M6×12	4	5N•m(±10%)	Yes
Reservoir and front bracket assy fixed bolt	M6×14	2	3N•m(±10%)	Yes
Instrument and instrument bracket fixed bolt	M6×16	4	4N•m(±10%)	Yes
Sprocket disc and sprocket seat fixed bolt	M8×26	6	38N•m(±10%)	Yes
Oil pump and fuel tank fixed bolt	M6×16	5	6N•m(±10%)	No
Oil level sensor and fuel tank fixed bolt	M5×16	4	4N•m(±10%)	No
Oil pipe joint and fuel tank fixed bolt	M6×12	4	10N•m(±10%)	No
Instrument bracket and instrument bracket fixed bolt	M6×16	2	5N•m(±10%)	No
Handlebar guard fixed bolt	M8×70	2	13N•m~15N•m	No

CFMOTO RIDE APP / TELEMATICS BOX

CFMOTO RIDE is an intelligent, networked, mobile service platform that provides human-vehicle interconnection as its core. CFMOTO RIDE is committed to providing full-featured services for motorsport enthusiasts online. The telematics module, or T-BOX, is an intelligent vehicle terminal that builds a communication bridge between owners and vehicles through the CFMOTO RIDE App. When a T-BOX is equipped, the owner can enjoy the smart features of CFMOTO RIDE. The telematics module is optional in select markets. Check with your dealer to determine if your vehicle is equipped with telematics (T-BOX). Or download the CFMOTO RIDE App and send your question via the [feedback] option, and CFMOTO will check for you.



CFMOTO RIDE App

Scan the QR code to download the CFMOTO RIDE APP from the Apple App Store for iPhone or Google Play for Android.



CFMOTO RIDE Facebook

Scan the QR code to follow CFMOTO RIDE on Facebook and be the first to receive notices on app updates and news.



CFMOTO RIDE Website

Scan the QR code to explore the CFMOTO RIDE intelligent platform on the CFMOTO global website.

CFMOTO RIDE provides various smart features such as the vehicle owner's manual, riding details, navigation, Over-The-Air (OTA) updates, geofence, static reminders, etc. Available features will vary according to vehicle / model configuration and global market requirements. Please download CFMOTO RIDE and enjoy the intelligent riding experience!

6WWW-380101-8400-12 EU249



MOREFUN

ZHEJIANG CFMOTO POWER CO., LTD.

NO.116,Wuzhou Road, Yuhang Economic Development Zone,
Hangzhou 311100,Zhejiang Province,China

Tel:86-571-86258863

Fax:+86-571-89265788

E-mail:service@cfmoto.com.cn

<http://global.cfmoto.com>

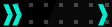


TAVOLA DI MANUTENZIONE

800MT-X

	Specifiche	A primi 1000 km	ogni 15000 km o ogni anno	Ispezioni pre guida
Olio motore controllo				•
Olio motore sostituzione	2,8 L**	S	S	
Filtro olio		S	S	
Candela	NGK LMAR9AI-10		S(30)	
Iniezione elettronica		•	•	
Filtro aria*			S(30)	
Gioco valvole	asp. 0.10 - 0.15mm sc. 0.15 - 0.20mm		C(30)	
Liquido refrigerante	Organico	•		•
Catena trasmissione		CONTROLLARE E LUBRIFICARE OGNI 1000 KM		
Frizione			•	
Fluido freni	DOT4 o DOT5.1**	•		•
Freni		•	•	•
Viti e dadi		•	•	
Cuscinetti di sterzo		•	•	•
Pneumatici		•	•	•
Batteria	12V / 11.2 Ah		•	

(•) Controllo. Inclusa anche pulizia, registrazione, riparazione o sostituzione
 (S) Sostituzione, (S15) Sostituire ogni 15000 km, (S30) Sostituire ogni 30000 km
 (C30) Controllare ogni 30000 km

(*) Sostituire più spesso se il veicolo viene utilizzato su strade polverose

(**) Per le specifiche complete fare riferimento al manuale di Uso e Manutenzione

In caso di dubbio contattare un punto di assistenza **CFMOTO** appena possibile